



M&M Manufacturing Company

www.mmmfg.com

AUSTIN
(512)-960-2370

DALLAS
(972)-485-1504

FORT WORTH
(Adolph)
(817)-334-0034

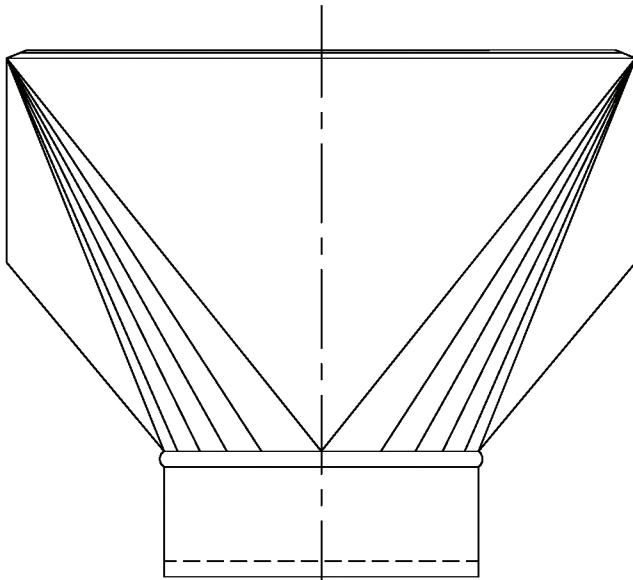
FORT WORTH
(MKIV)
(817)-336-2311

HOUSTON
(713)-690-0585

LITTLE ROCK
(501)-888-3042

PROPRIETARY INFORMATION

THIS DRAWING AND/OR DATA SHEET, AND THE CONFIDENTIAL PROPRIETARY INFORMATION THEREON, ARE THE PROPERTY OF M&M MANUFACTURING, INC. AND ARE NOT TO BE REPRODUCED OR COPIED IN WHOLE OR IN PART, OR USED FOR UNAUTHORIZED MANUFACTURING OR ANY OTHER EXPLOITATION OF THE ITEM DISCLOSED THEREIN, OR IN ANY OTHER WAY DISCLOSED OR USED FOR FURNISHING INFORMATION.



Hemmed collar

Available sizes

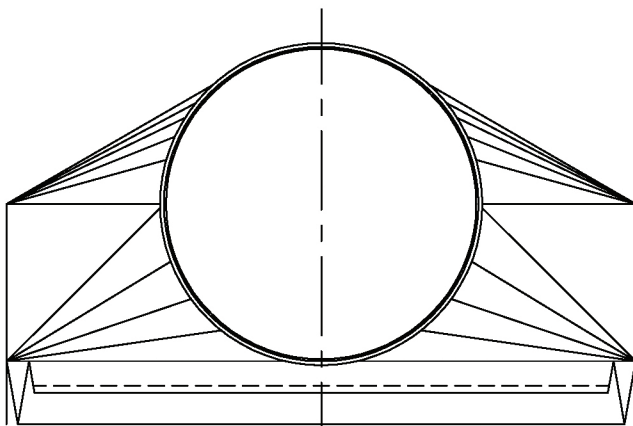
10" x 3 1/4" - 5" rd. Pt# 203S1031/45

10" x 3 1/4" - 6" rd. Pt# 203S1031/46

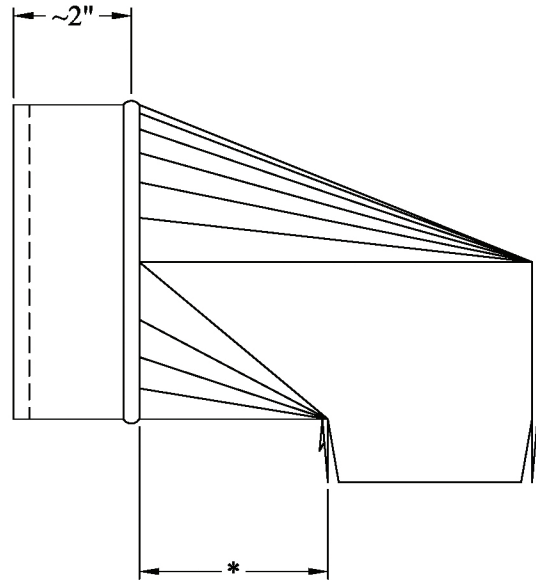
10" x 3 1/4" - 7" rd. Pt# 203S1031/47

12" x 3 1/4" - 7" rd. Pt# 203S1231/47

14" x 3 1/4" - 8" rd. Pt# 203S1431/48



Accepts wall stack



*Minimum transition length
Varies with size

PART #: 203S(Size) **DESCRIPTION:** 90o angle wall stack boot

NOTES: Material: 30 ga. ASTM-A653 CS B galvanized steel

See above for available sizes

Order by Pt# 203S(Rectangular dimension in inches)(Diameter in inches)