



# M&M Manufacturing Company

[www.mmmfg.com](http://www.mmmfg.com)

**PROPRIETARY INFORMATION**

THIS DRAWING AND/OR DATA SHEET, AND THE CONFIDENTIAL PROPRIETARY INFORMATION THEREON, ARE THE PROPERTY OF M&M MANUFACTURING, INC. AND ARE NOT TO BE REPRODUCED OR COPIED IN WHOLE OR IN PART, OR USED FOR UNAUTHORIZED MANUFACTURING OR ANY OTHER EXPLOITATION OF THE ITEM DISCLOSED THEREIN, OR IN ANY OTHER WAY DISCLOSED OR USED FOR FURNISHING INFORMATION.

AUSTIN  
(512)-960-2370

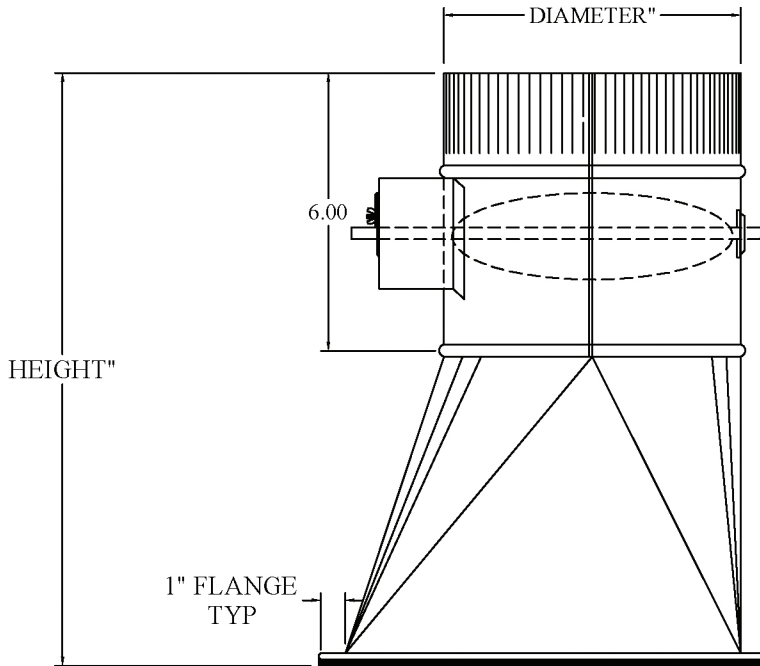
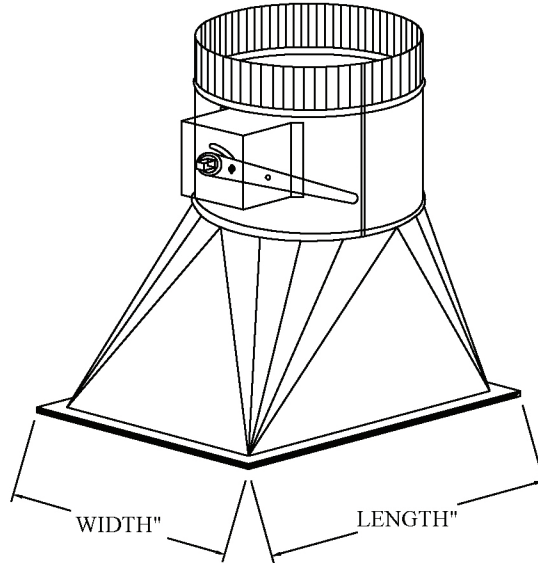
DALLAS  
(972)-485-1504

FORT WORTH  
(Adolph)  
(817)-334-0034

FORT WORTH  
(MKIV)  
(817)-336-2311

HOUSTON  
(713)-690-0585

LITTLE ROCK  
(501)-888-3042



Product Availability			
Diameter (Size)	Length	Width	Height
4"	10"	5"	11.75"
5"	10"	5"	11.75"
6"	12"	6"	11.75"
7"	12"	6"	11.75"
8"	12"	6"	11.75"
9"	15"	6"	12.75"
10"	16"	6.75"	12.75"
12"	18"	8.5"	12.75"
14"	20"	9.5"	12.75"
16"	22"	14"	13.75"
18"	22"	16"	13.75"
20"	24"	18"	14"

**PART #:** 521DELV382(SIZE)

**DESCRIPTION:** High Efficiency Take-Off W/Damper & Regulator Standoff

**NOTES:**

- Material: 26 gauge G-60 Galvanized Steel
- Available in 4" - 20" Diameter
- 1/8" x 1" High Density Polyethylene Gasket
- 3/8" Square Rod
- Heavy Duty Steel Regulator Standoff
- Zero-Leak Snap-In Bushing
- Welded Seams for Added Strength And Low Leakage