



# M&M Manufacturing Company

[www.mmmfg.com](http://www.mmmfg.com)

**PROPRIETARY INFORMATION**

THIS DRAWING AND/OR DATA SHEET, AND THE CONFIDENTIAL PROPRIETARY INFORMATION THEREON, ARE THE PROPERTY OF M&M MANUFACTURING, INC. AND ARE NOT TO BE REPRODUCED OR COPIED IN WHOLE OR IN PART, OR USED FOR UNAUTHORIZED MANUFACTURING OR ANY OTHER EXPLOITATION OF THE ITEM DISCLOSED THEREIN, OR IN ANY OTHER WAY DISCLOSED OR USED FOR FURNISHING INFORMATION.

AUSTIN  
(512)-960-2370

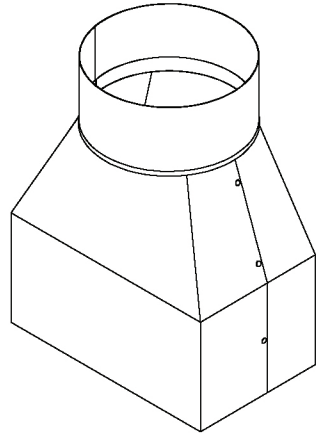
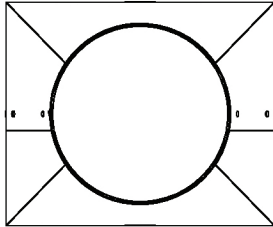
DALLAS  
(972)-485-1504

FORT WORTH  
(Adolph)  
(817)-334-0034

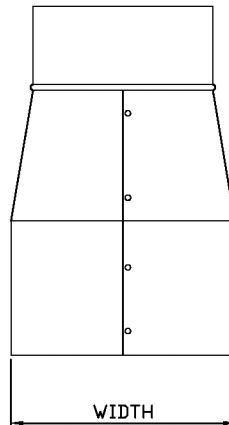
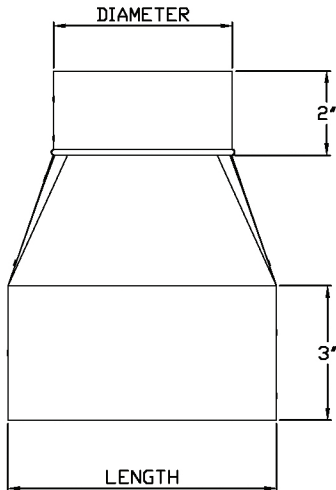
FORT WORTH  
(MKIV)  
(817)-336-2311

HOUSTON  
(713)-690-0585

LITTLE ROCK  
(501)-888-3042



ISOMETRIC VIEW



**PART #:** 651

**DESCRIPTION:** The standard Size #651 Register Box wo/Tabs or Rails

**NOTES:** Depending on size #651 Register Boxes are shipped packaged or loose.

ASTM-A653 CS B galvanized steel

Order as Pt# 651(size)