



M&M Manufacturing Company

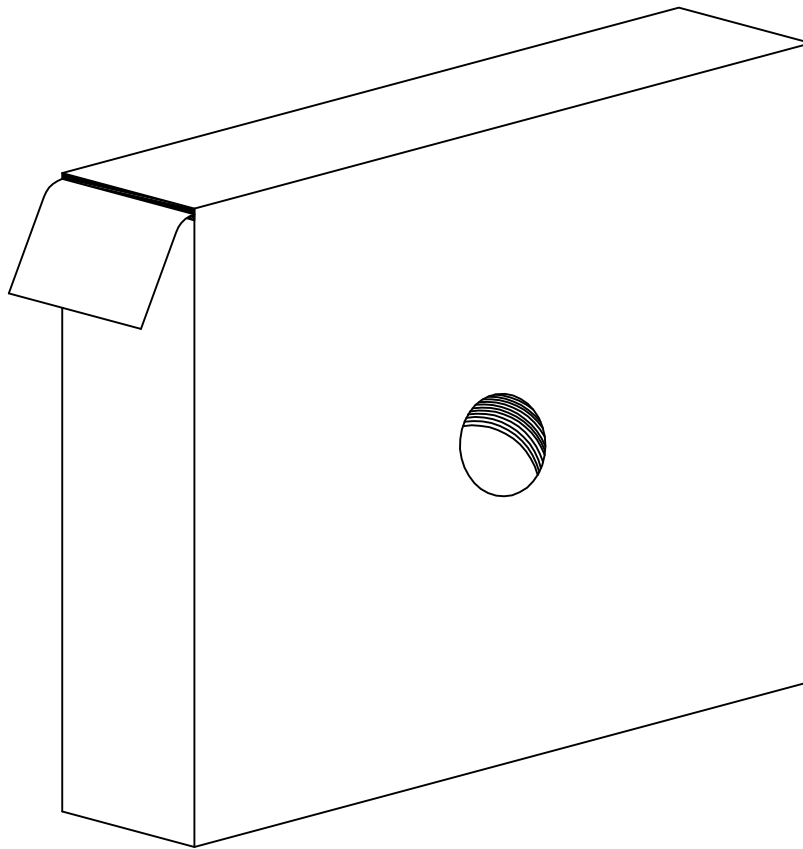
www.mmmfg.com

FORT WORTH (Mark IV Pkwy)
(817)-336-2311

FORT WORTH (Adolph)
(817)-334-0034

DALLAS
(972)-485-1504

HOUSTON
(713)-690-0585



PART #: RD-26HS1.5 **DESCRIPTION:** 1 1/2" x 26 gauge Hanger Strap

NOTES: Material: 26 gauge galvanized steel per ASTM-A653 CS B
1 1/2" x 100' roll
Packaged in ~7" x ~7" dispensing carton