



M&M Manufacturing Company

www.mmmfg.com

AUSTIN
(512)-960-2370

DALLAS
(972)-485-1504

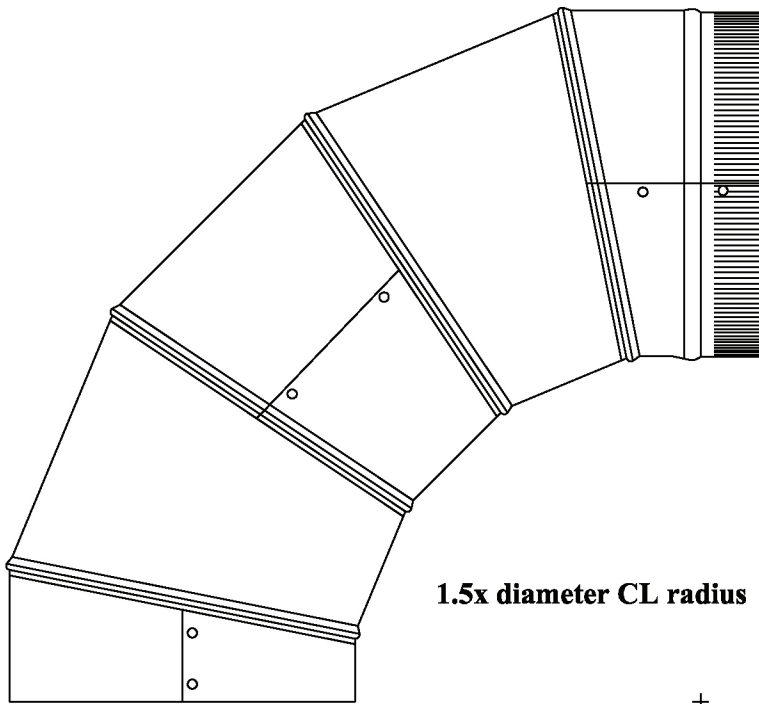
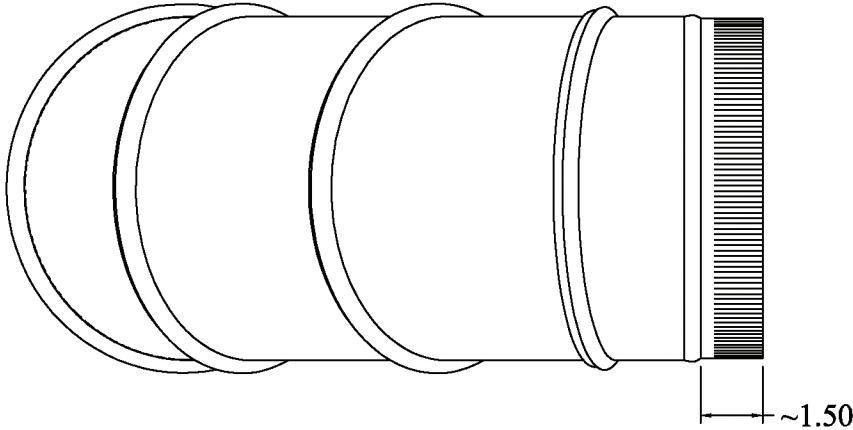
FORT WORTH
(Adolph)
(817)-334-0034

FORT WORTH
(MKIV)
(817)-336-2311

HOUSTON
(713)-690-0585

LITTLE ROCK
(501)-888-3042

PROPRIETARY INFORMATION
THIS DRAWING AND/OR DATA SHEET, AND THE CONFIDENTIAL PROPRIETARY INFORMATION THEREON, ARE THE PROPERTY OF M&M MANUFACTURING, INC. AND ARE NOT TO BE REPRODUCED OR COPIED IN WHOLE OR IN PART, OR USED FOR UNAUTHORIZED MANUFACTURING OR ANY OTHER EXPLOITATION OF THE ITEM DISCLOSED THEREIN, OR IN ANY OTHER WAY DISCLOSED OR USED FOR FURNISHING INFORMATION.



28 GAUGE MATERIAL		
SIZE	DEGREE	PART #
5"	90	12301289005
6"	90	12301289006
7"	90	12301289007
8"	90	12301289008

26 GAUGE MATERIAL		
SIZE	DEGREE	PART #
5"	90	12302269005
9"	90	12302269009
10"	90	12302269010
12"	90	12302269012
14"	90	12302269014

24 GAUGE MATERIAL		
SIZE	DEGREE	PART #
16"	90	12302249016
18"	90	12302249018
20"	90	12302249020

DESCRIPTION: Round adjustable long radius elbow. 2" W.C. positive pressure.

NOTES: ASTM-A653 CS B galvanized steel
5 gore, adjustable 90° to straight