



M&M Manufacturing Company

www.mmmfg.com

PROPRIETARY INFORMATION

THIS DRAWING AND/OR DATA SHEET, AND THE CONFIDENTIAL PROPRIETARY INFORMATION THEREON, ARE THE PROPERTY OF M&M MANUFACTURING, INC. AND ARE NOT TO BE REPRODUCED OR COPIED IN WHOLE OR IN PART, OR USED FOR UNAUTHORIZED MANUFACTURING OR ANY OTHER EXPLOITATION OF THE ITEM DISCLOSED THEREIN, OR IN ANY OTHER WAY DISCLOSED OR USED FOR FURNISHING INFORMATION.

AUSTIN
(512)-960-2370

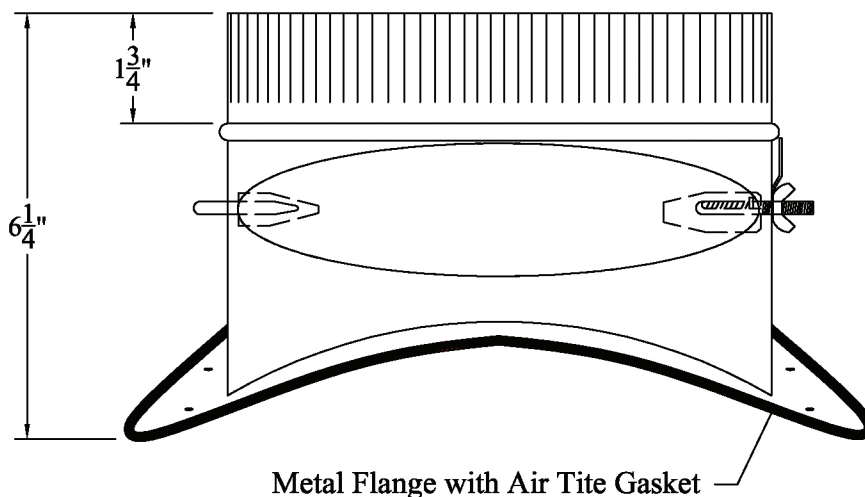
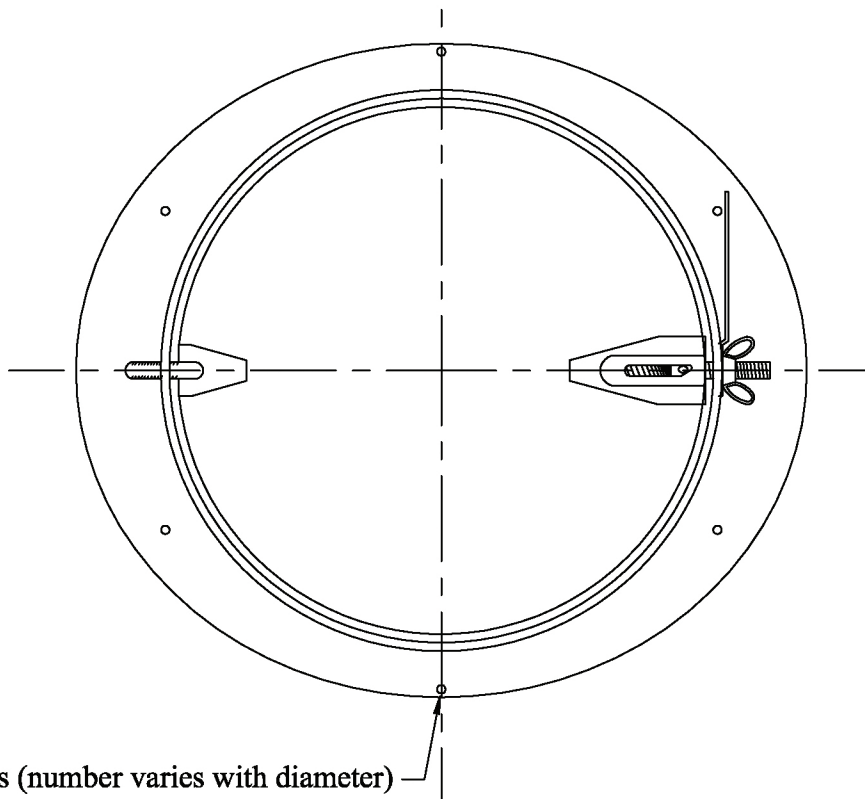
DALLAS
(972)-485-1504

FORT WORTH
(Adolph)
(817)-334-0034

FORT WORTH
(MKIV)
(817)-336-2311

HOUSTON
(713)-690-0585

LITTLE ROCK
(501)-888-3042



PART #: 503SATT0D(Size) **DESCRIPTION:** AIR TITE 90° SADDLE TAKE OFF W/DAMPER

NOTES: Material: Ø4" - Ø14" = 28 ga.; Ø16" - Ø18" = 26 ga.; Ø20" - Ø24" = 24 ga.

ASTM-A653 CS B galvanized steel

Air Tite flange with gasket

Plated steel damper hardware with locking handle

Order as Pt# 503ATT0D(Diameter in inches)