



M&M Manufacturing Company

www.mmmfg.com

AUSTIN
(512)-960-2370

DALLAS
(972)-485-1504

FORT WORTH
(Adolph)
(817)-334-0034

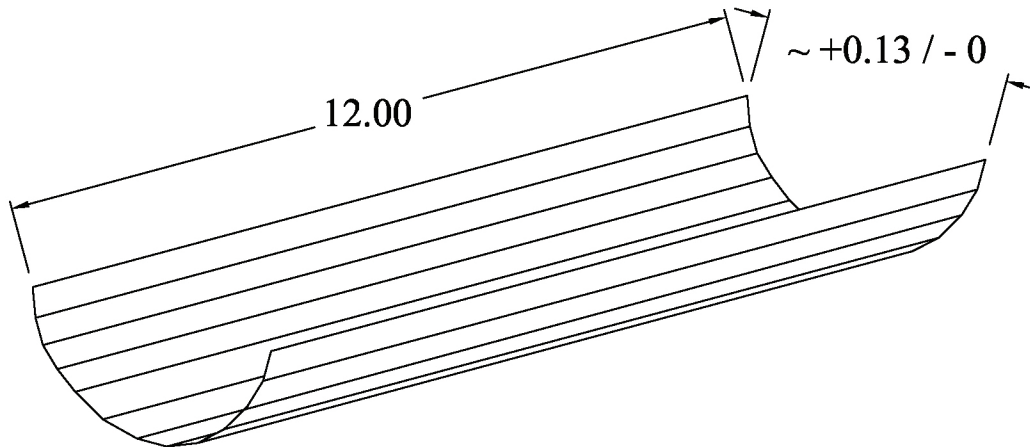
FORT WORTH
(MKIV)
(817)-336-2311

HOUSTON
(713)-690-0585

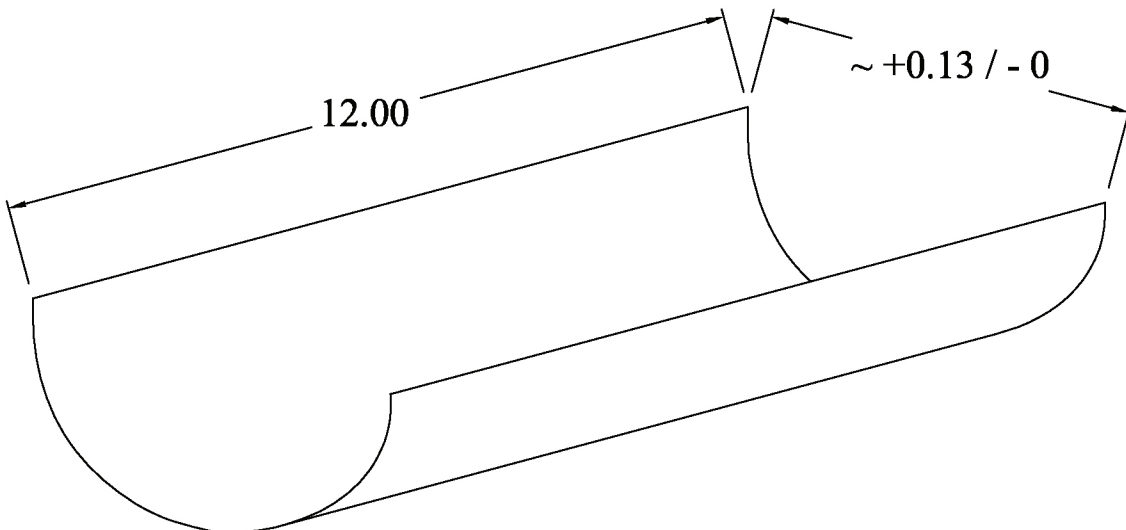
LITTLE ROCK
(501)-888-3042

PROPRIETARY INFORMATION
THIS DRAWING AND/OR DATA SHEET, AND THE CONFIDENTIAL
PROPRIETARY INFORMATION THEREON, ARE THE PROPERTY OF
M&M MANUFACTURING, INC. AND ARE NOT TO BE REPRODUCED
OR COPIED IN WHOLE OR IN PART, OR USED FOR UNAUTHORIZED
MANUFACTURING OR ANY OTHER EXPLOITATION OF THE ITEM
DISCLOSED THEREIN, OR IN ANY OTHER WAY DISCLOSED OR
USED FOR FURNISHING INFORMATION.

2" through 3.5" Bump Formed



4" through 10" Rolled



PART #: IS-22(Size)12 | **DESCRIPTION:** STOCK INSULATION SADDLE

NOTES: Material: 22 ga.

ASTM-A653 CS B galvanized steel

Stocked: Whole and half sizes 2" through 7". Whole sizes 8" through 10".

Half Diameter x 12" Long

Order as: IS-22(Diameter in inches)12