

4

3

2

1



D

D

C

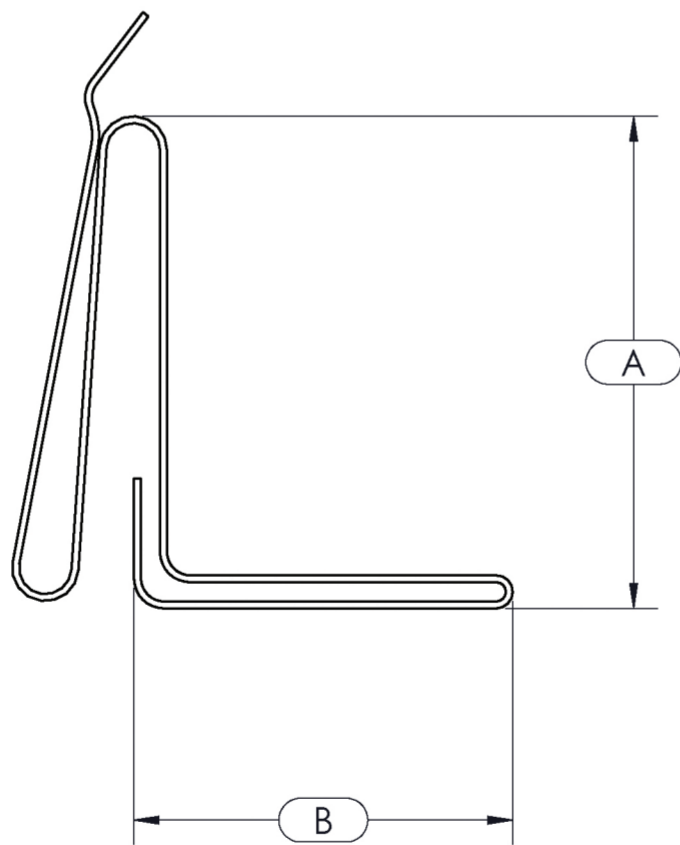
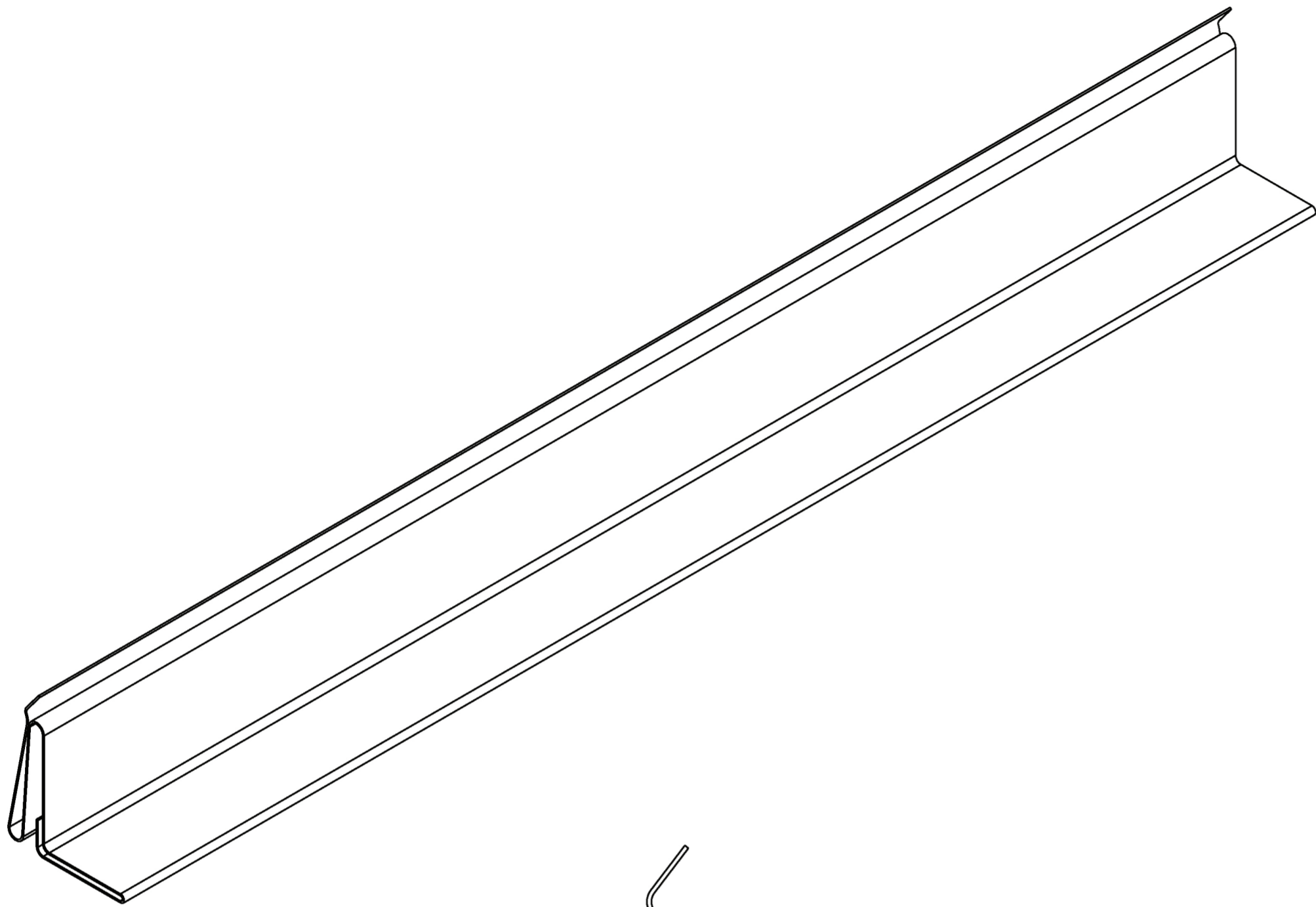
C

B

B


A

A



-A-	-B-	GAGE
1-1/8	1-1/8	26
1-1/8	1-1/8	24
1-1/8	1-1/8	22

**PROPRIETARY INFORMATION**  
 THIS DRAWING AND/OR DATA SHEET, AND THE CONFIDENTIAL PROPRIETARY INFORMATION THEREON, ARE THE PROPERTY OF M&M MANUFACTURING, INC. AND ARE NOT TO BE REPRODUCED OR COPIED IN WHOLE OR IN PART, OR USED FOR UNAUTHORIZED MANUFACTURING OR ANY OTHER EXPLOITATION OF THE ITEM DISCLOSED THEREIN, OR IN ANY OTHER WAY DISCLOSED OR USED FOR FURNISHING INFORMATION.

 <b>M&amp;M MFG.CO.,INC</b> 4001 MARK IV PKWY. P.O.BOX 163409 FORT WORTH, TX.76161 PH. (817) 336-2311 FAX.(817) 625-5193	Part title		ESS CLEAT	
	Proj. title		ADOLPH ESS CLEAT PROFILE	
	Tolerances Unless Otherwise Specified		X.XXXX ±.0005 X.XXX ±.002 X.XX ±.01	
	Fractional ± 1/16		Angles ±0° 15'	
Dr. by	Date	Scale	FULL	
T. THAIRINTR	5-10-10			
Ck. by	Date	Asst#	N/A	
T. THAIRINTR	5-10-10			
App. by	Date	Sheet	1 of 1	Size
K. HIGHLAND	5-10-10			C
Part no. <b>ESS STANDING CLEAT</b>				

THIS DOCUMENT IS THE CONFIDENTIAL PROPRIETARY INFORMATION OF M&M MFG. CO. AND SHALL NOT BE DISCLOSED, COPIED, OR USED FOR ANY PURPOSE OTHER THAN FOR WHICH THIS DOCUMENT IS SPECIFICALLY FORWARDED WITHOUT THE WRITTEN CONSENT AND APPROVAL OF M&M MFG. CO.

4

3

2

1