



M&M Manufacturing Company

www.mmmfg.com

AUSTIN
(512)-960-2370

DALLAS
(972)-485-1504

FORT WORTH
(Adolph)
(817)-334-0034

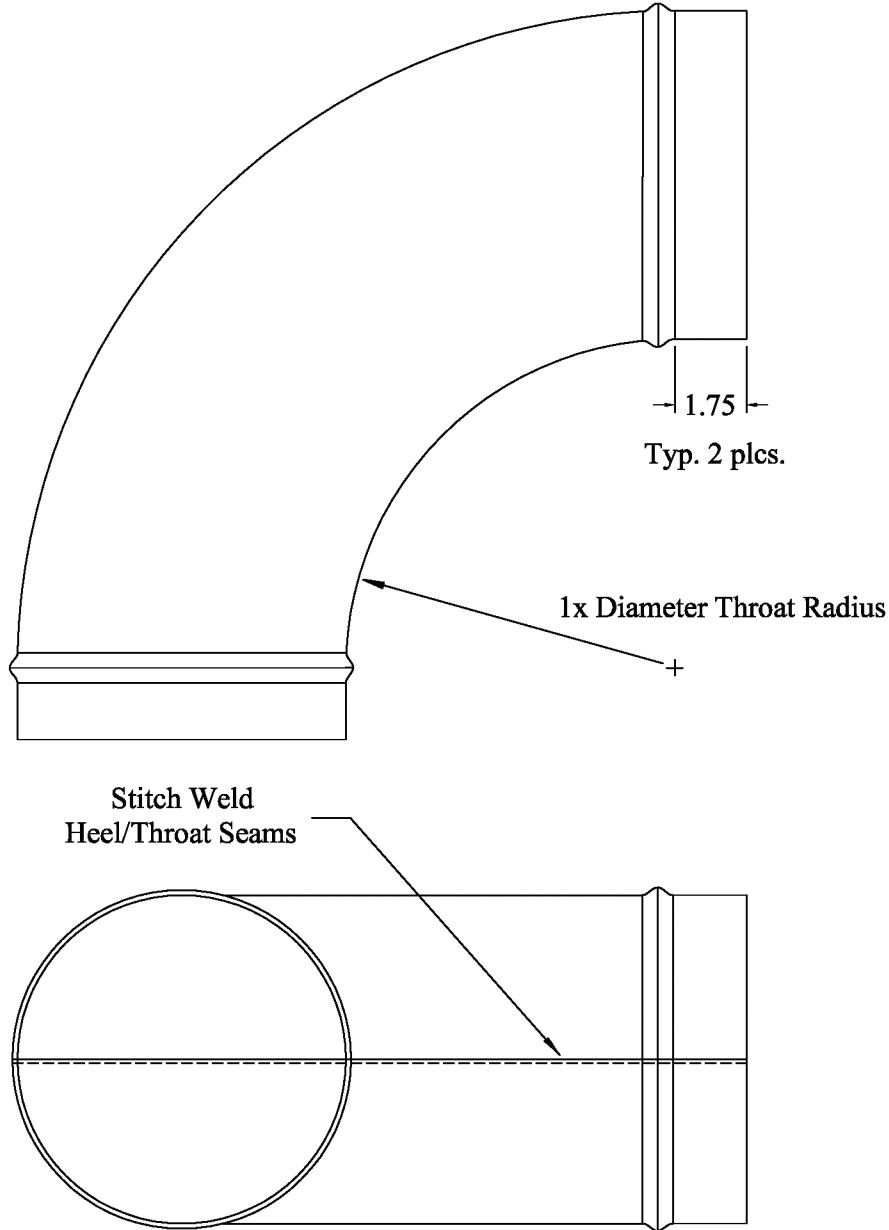
FORT WORTH
(MKIV)
(817)-336-2311

HOUSTON
(713)-690-0585

LITTLE ROCK
(501)-888-3042

PROPRIETARY INFORMATION

THIS DRAWING AND/OR DATA SHEET, AND THE CONFIDENTIAL PROPRIETARY INFORMATION THEREON, ARE THE PROPERTY OF M&M MANUFACTURING, INC. AND ARE NOT TO BE REPRODUCED OR COPIED IN WHOLE OR IN PART, OR USED FOR UNAUTHORIZED MANUFACTURING OR ANY OTHER EXPLOITATION OF THE ITEM DISCLOSED THEREIN, OR IN ANY OTHER WAY DISCLOSED OR USED FOR FURNISHING INFORMATION.



PART #: SP-E(Size)90 **DESCRIPTION:** 90o Elbow for Spiral Pipe (stamped)

NOTES: Material: 22 gauge

ASTM-A653 CS B galvanized steel

2 pc. stamped construction with stitch welded heel and throat seam

Fitting sized ($\frac{1}{8}$ " less than pipe diameter)

Sizes 14" and above are gored elbows, spot weld construction

Order as Pt# SP-E(diameter in inches)90