



M&M Manufacturing Company

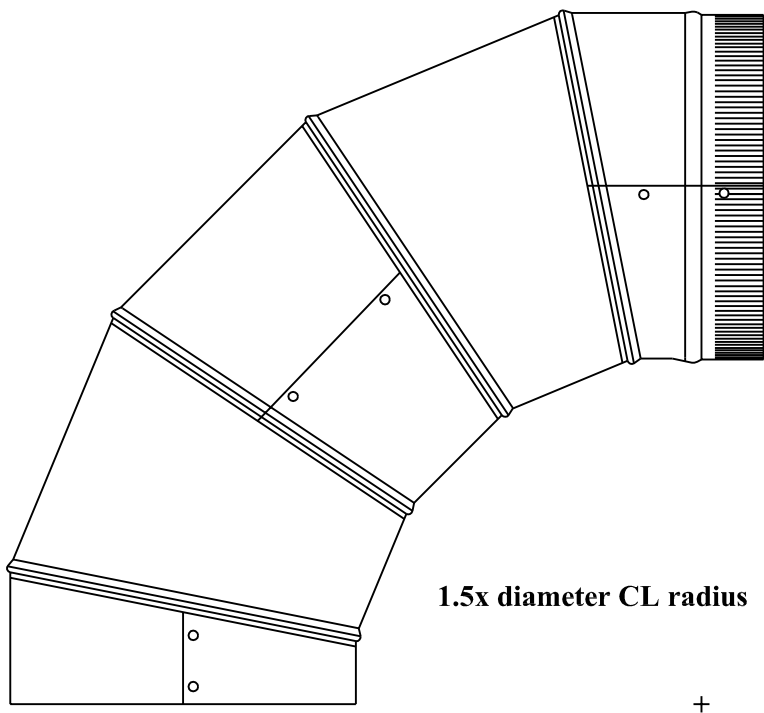
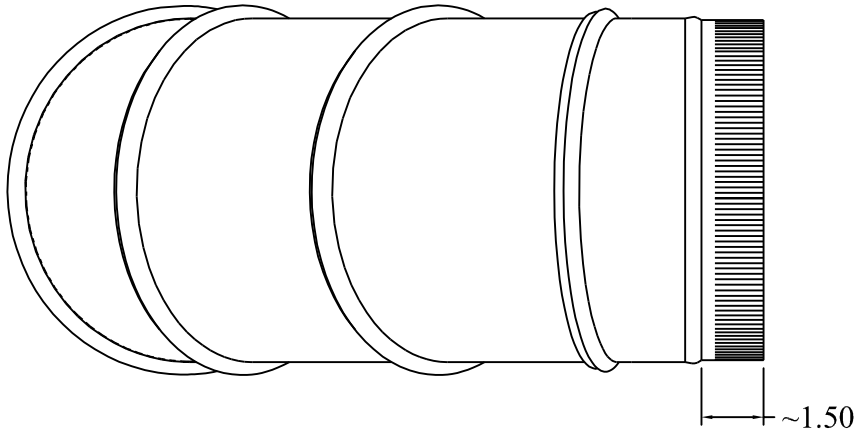
www.mmmfg.com

FORT WORTH (MkIV)
(817)-336-2311

FORT WORTH (Adolph)
(817)-334-0034

DALLAS
(972)-485-1504

HOUSTON
(713)-690-0585



1.5x diameter CL radius

+

28 GAUGE MATERIAL

SIZE	DEGREE	PART #
5"	90	12301289005
6"	90	12301289006
7"	90	12301289007
8"	90	12301289008

26 GAUGE MATERIAL

SIZE	DEGREE	PART #
5"	90	12302269005
9"	90	12302269009
10"	90	12302269010
12"	90	12302269012
14"	90	12302269014

24 GAUGE MATERIAL

SIZE	DEGREE	PART #
16"	90	12302249016
18"	90	12302249018
20"	90	12302249020

DESCRIPTION: Round adjustable long radius elbow. 2" W.C. positive pressure.

NOTES: ASTM-A653 CS B galvanized steel
5 gore, adjustable 90° to straight