



M&M Manufacturing Company

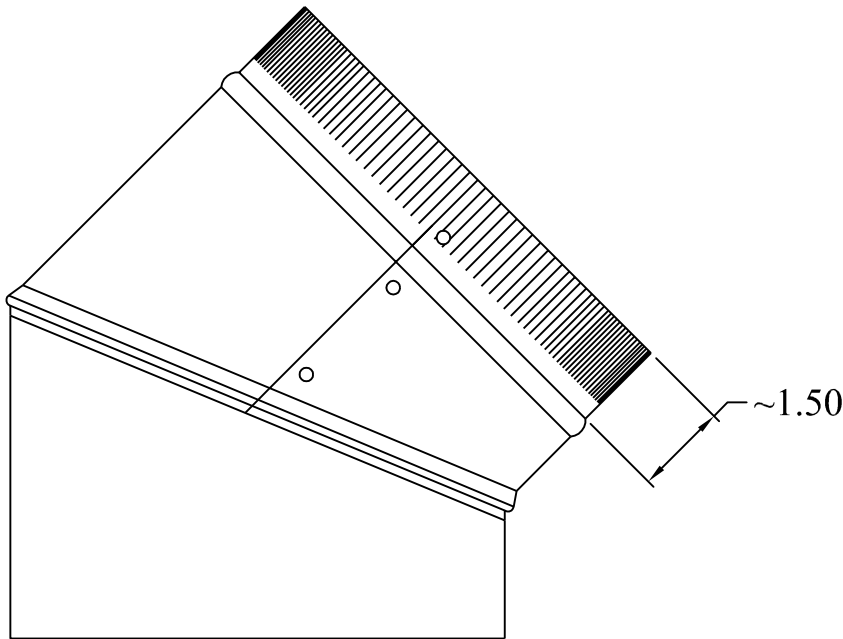
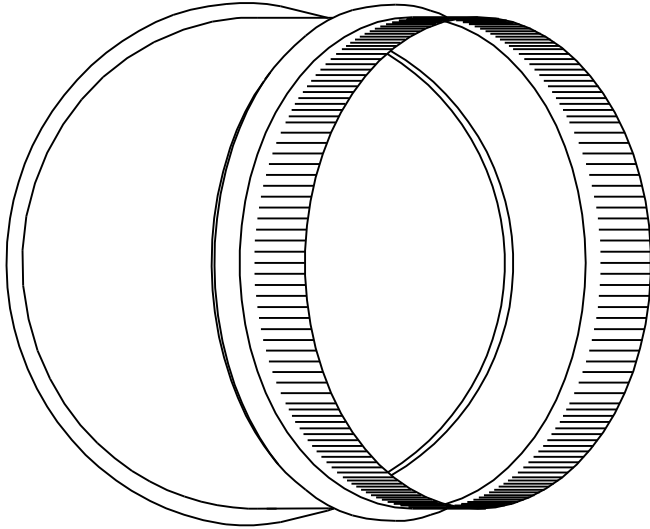
www.mmmfg.com

FORT WORTH (MkIV)
(817)-336-2311

FORT WORTH (Adolph)
(817)-334-0034

DALLAS
(972)-485-1504

HOUSTON
(713)-690-0585



30 GAUGE MATERIAL		
SIZE	DEGREE	PART #
4"	45	12101304504
5"	45	12101304505
6"	45	12101304506
7"	45	12101304507
8"	45	12101304508
9"	45	12101304509
10"	45	12101304510

28 GAUGE MATERIAL		
SIZE	DEGREE	PART #
4"	45	12101284504
5"	45	12101284505
6"	45	12101284506
7"	45	12101284507
8"	45	12101284508
9"	45	12101284509
10"	45	12101284510
12"	45	12101284512
14"	45	12101284514

26 GAUGE MATERIAL		
SIZE	DEGREE	PART #
16"	45	12102264516
18"	45	12102264518

24 GAUGE MATERIAL		
SIZE	DEGREE	PART #
20"	45	12102244520

PART #: 150(Size)	DESCRIPTION: Round adjustable 45° elbow
NOTES: ASTM-A653 CS B galvanized steel 2 gore, adjustable from 45° to straight	