



M&M Manufacturing Company

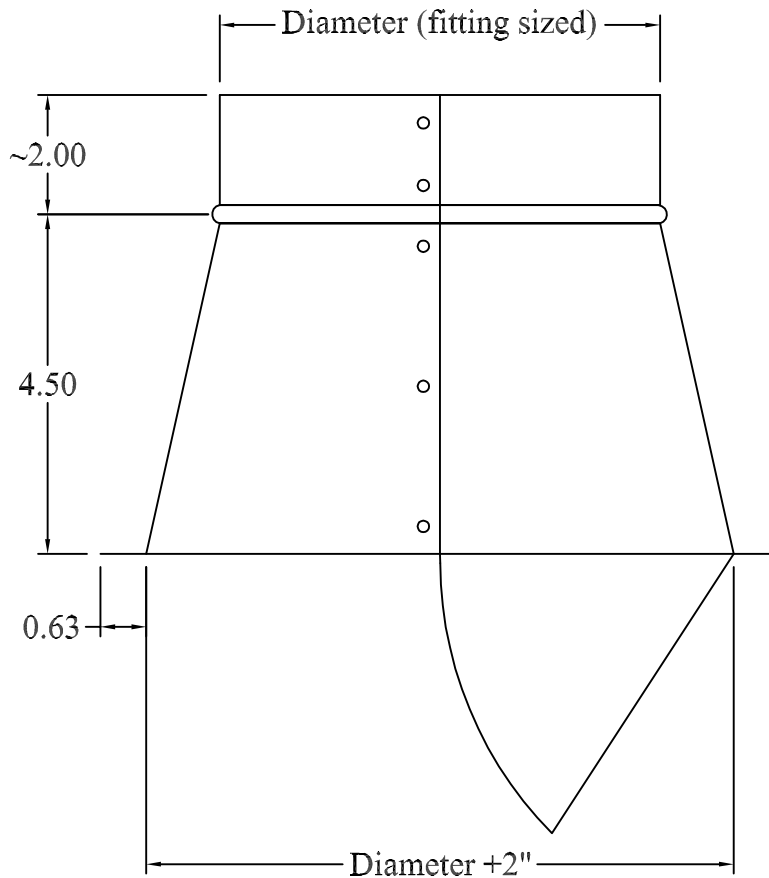
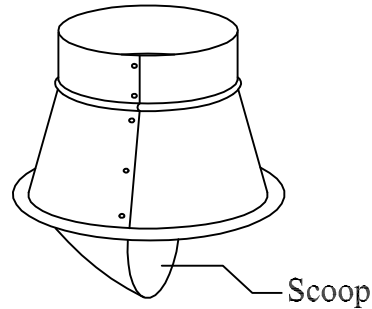
www.mmmfg.com

FORT WORTH (MkIV)
(817)-336-2311

FORT WORTH (Adolph)
(817)-334-0034

DALLAS
(972)-485-1504

HOUSTON
(713)-690-0585



PART #: 505FX(Size) **DESCRIPTION:** Conical Flanged Starting Collar

NOTES: Material: 4" - 14" = 28 ga.; 16" - 18" = 26 ga.; 20" = 24 ga.

ASTM-A653 CS B galvanized steel

4" W.C. Positive Pressure Commercial SMACNA Gauge

Order as #505FX(diameter in inches)