



# M&M Manufacturing Company

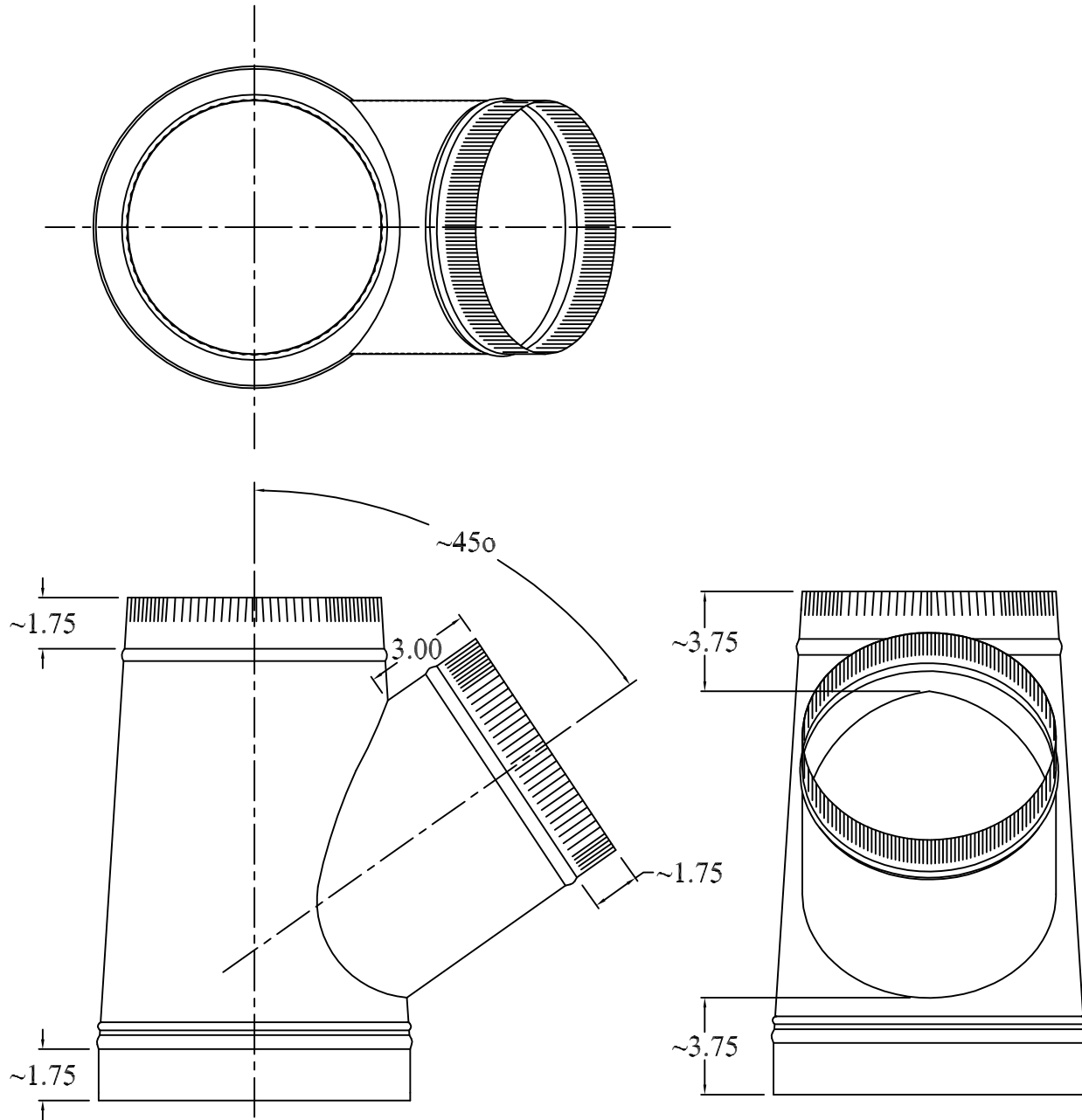
[www.mmmfg.com](http://www.mmmfg.com)

FORT WORTH (MkIV)  
(817)-336-2311

FORT WORTH (Adolph)  
(817)-334-0034

DALLAS  
(972)-485-1504

HOUSTON  
(713)-690-0585



**PART #:** 810(Size) | **DESCRIPTION:** Round 450 lateral wye / 2" W.C. positive pressure

**NOTES:** Material: 3" - 14" = 28 ga.; 16" - 18" = 26 ga.; 20" - 24" = 24 ga.

ASTM-A653 CS B galvanized steel

Commercial SMACNA gauge

Major diameter determines gauge

Order as Pt# 810(Inlet in inches)(Outlet in inches)(Branch in inches)