



M&M Manufacturing Company

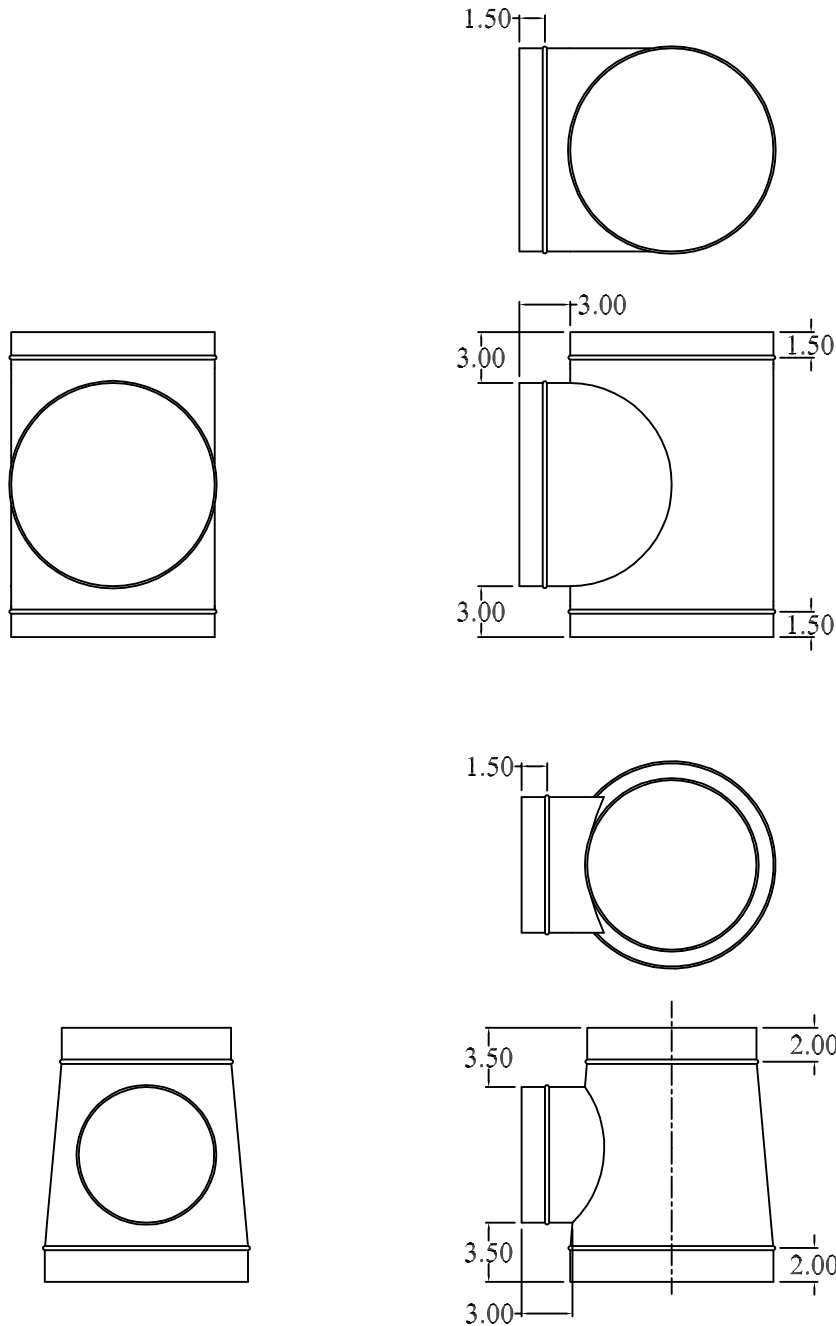
www.mmmfg.com

FORT WORTH (MkIV)
(817)-336-2311

FORT WORTH (Adolph)
(817)-334-0034

DALLAS
(972)-485-1504

HOUSTON
(713)-690-0585



PART #: 910(Size) **DESCRIPTION:** Round Tee / 2" W.C. positive pressure

NOTES: Material: 3" - 14" = 28 ga.; 16" - 18" = 26 ga.; 20" - 24" = 24 ga.

ASTM-A653 CS B galvanized steel

Commercial SMACNA gauge

Major diameter determines gauge

Order as Pt# 910(Size) if entry/exit/branch are same size OR

Order as Pt# 910(Trunk entry in inches)(Trunk exit in inches)(Branch in inches)