



M&M Manufacturing Company

www.mmmfg.com

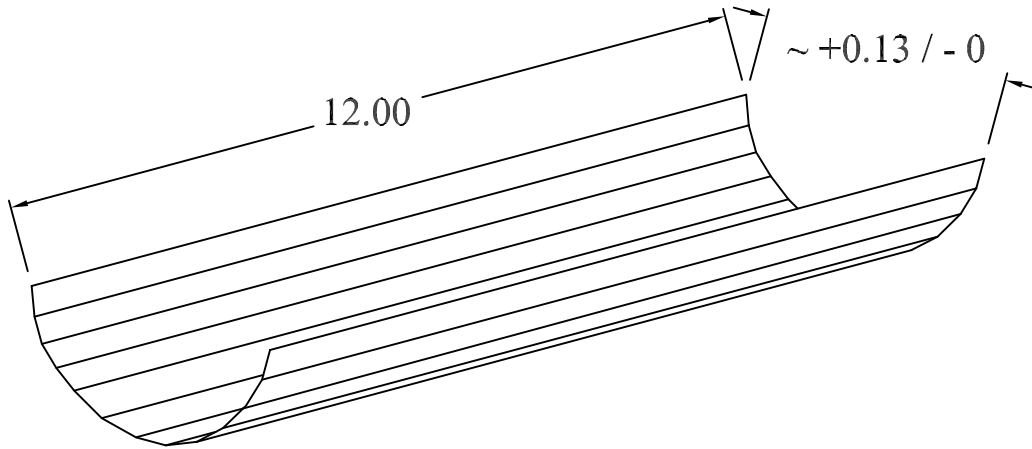
FORT WORTH (MkIV)
(817)-336-2311

FORT WORTH (Adolph)
(817)-334-0034

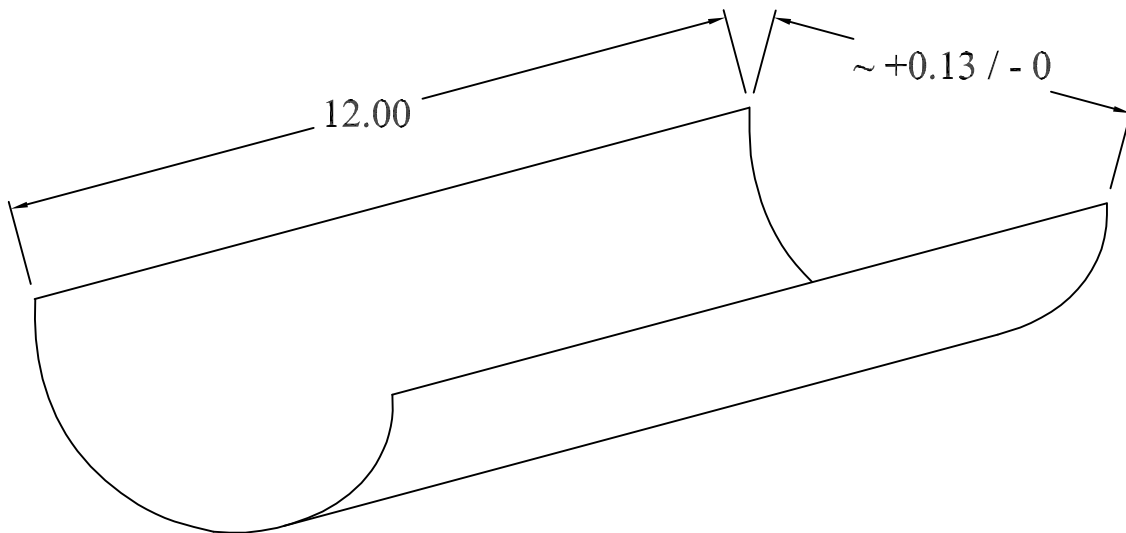
DALLAS
(972)-485-1504

HOUSTON
(713)-690-0585

2" through 3.5" Bump Formed



4" through 10" Rolled



PART #: IS-22(Size)12 | **DESCRIPTION:** STOCK INSULATION SADDLE

NOTES: Material: 22 ga.

ASTM-A653 CS B galvanized steel

Stocked: Whole and half sizes 2" through 7". Whole sizes 8" through 10".

Half Diameter x 12" Long

Order as: IS-22(Diameter in inches)12