



M&M Manufacturing Company

www.mmmfg.com

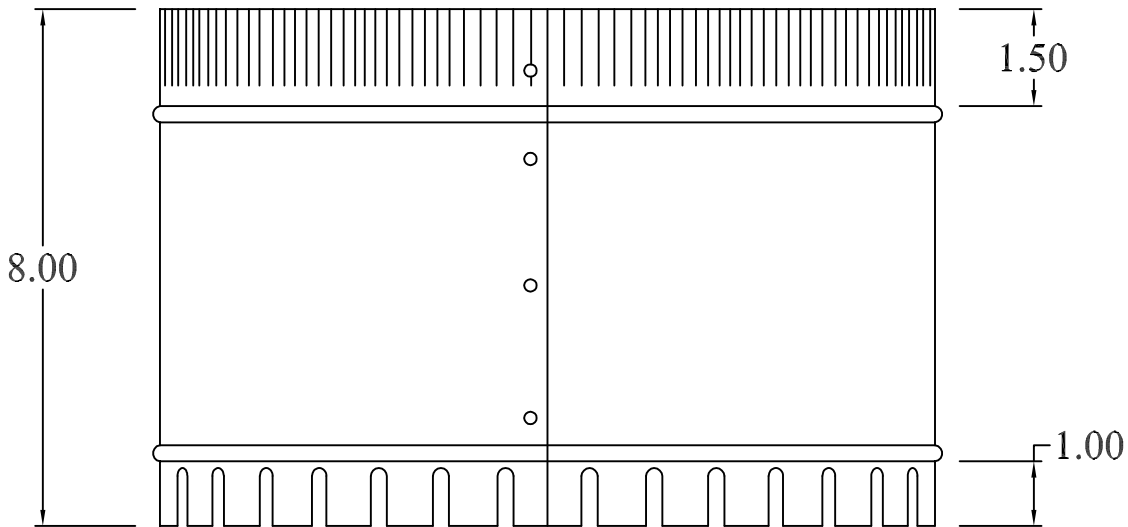
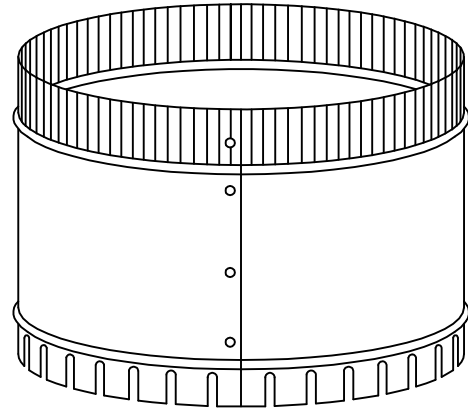
FORT WORTH (MkIV)
(817)-336-2311

FORT WORTH (Adolph)
(817)-334-0034

DALLAS
(972)-485-1504

HOUSTON
(713)-690-0585

10", 12" and 14" diameters available



PART #: MH-S(Size)

DESCRIPTION: Mobile home starter

NOTES: Material: 28 gauge

ASTM-A653 CS B galvanized steel

Order as Pt# MH-S(diameter in inches)