



# M&M Manufacturing Company

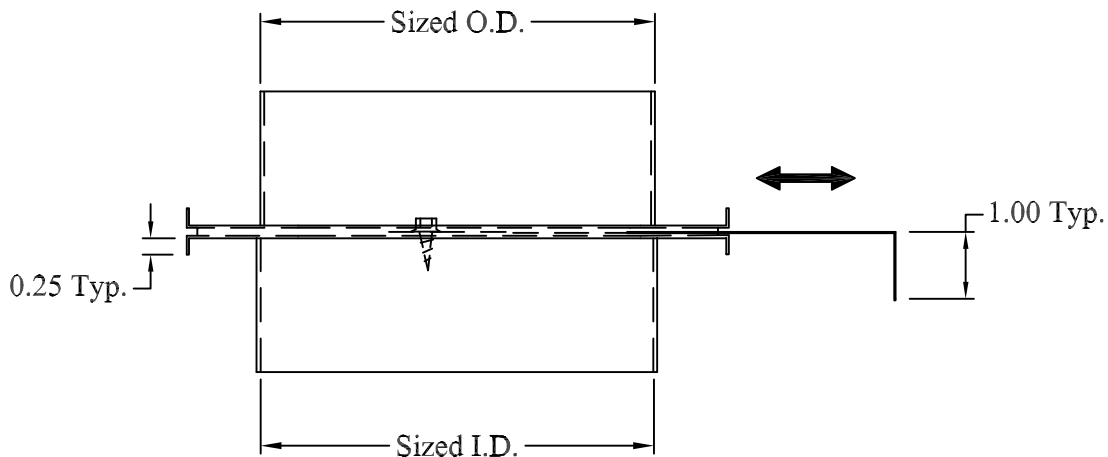
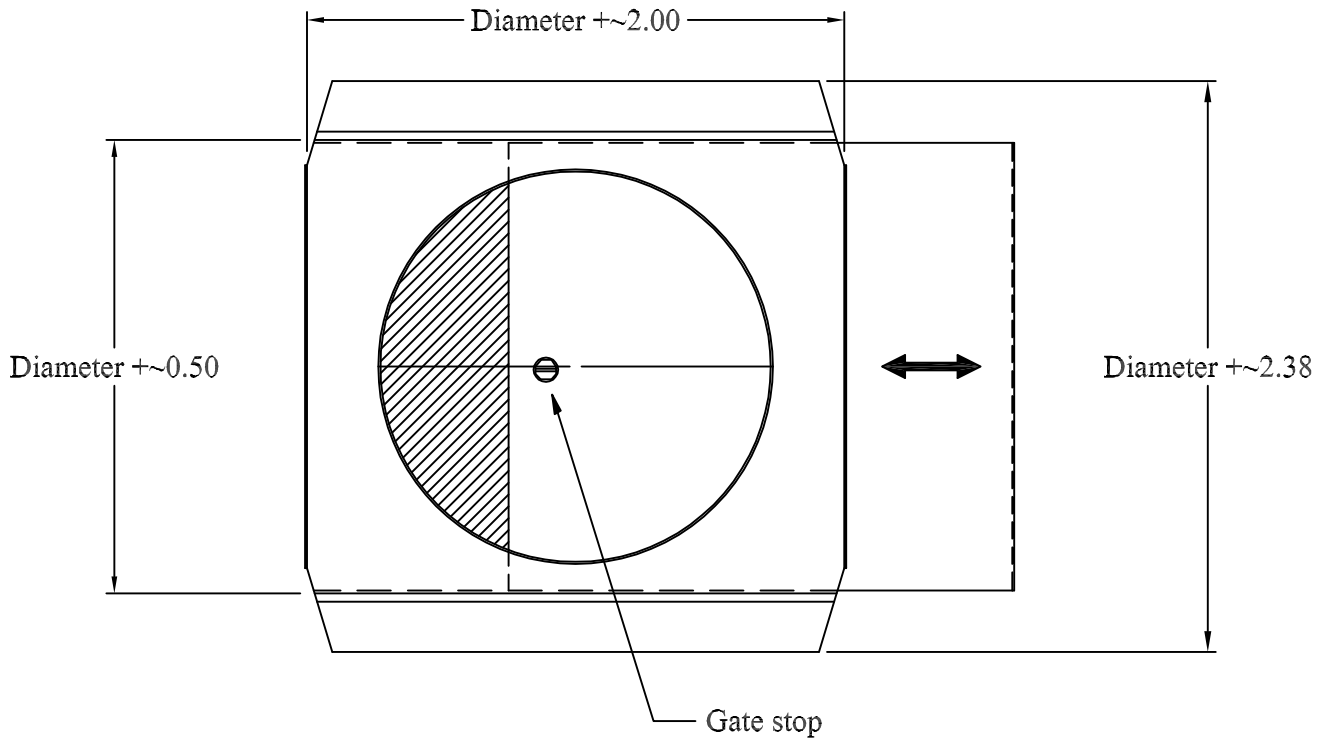
[www.mmmfg.com](http://www.mmmfg.com)

FORT WORTH (MkIV)  
(817)-336-2311

FORT WORTH (Adolph)  
(817)-334-0034

DALLAS  
(972)-485-1504

HOUSTON  
(713)-690-0585



**PART #:** MP-BG(Size) **DESCRIPTION:** Round steel blast gate

**NOTES:** Material: 20 gauge  
ASTM-A653 CS B galvanized steel  
Whole sizes 3" through 12" stocked  
Order as Pt# MP-BG(Diameter in inches)