



M&M Manufacturing Company

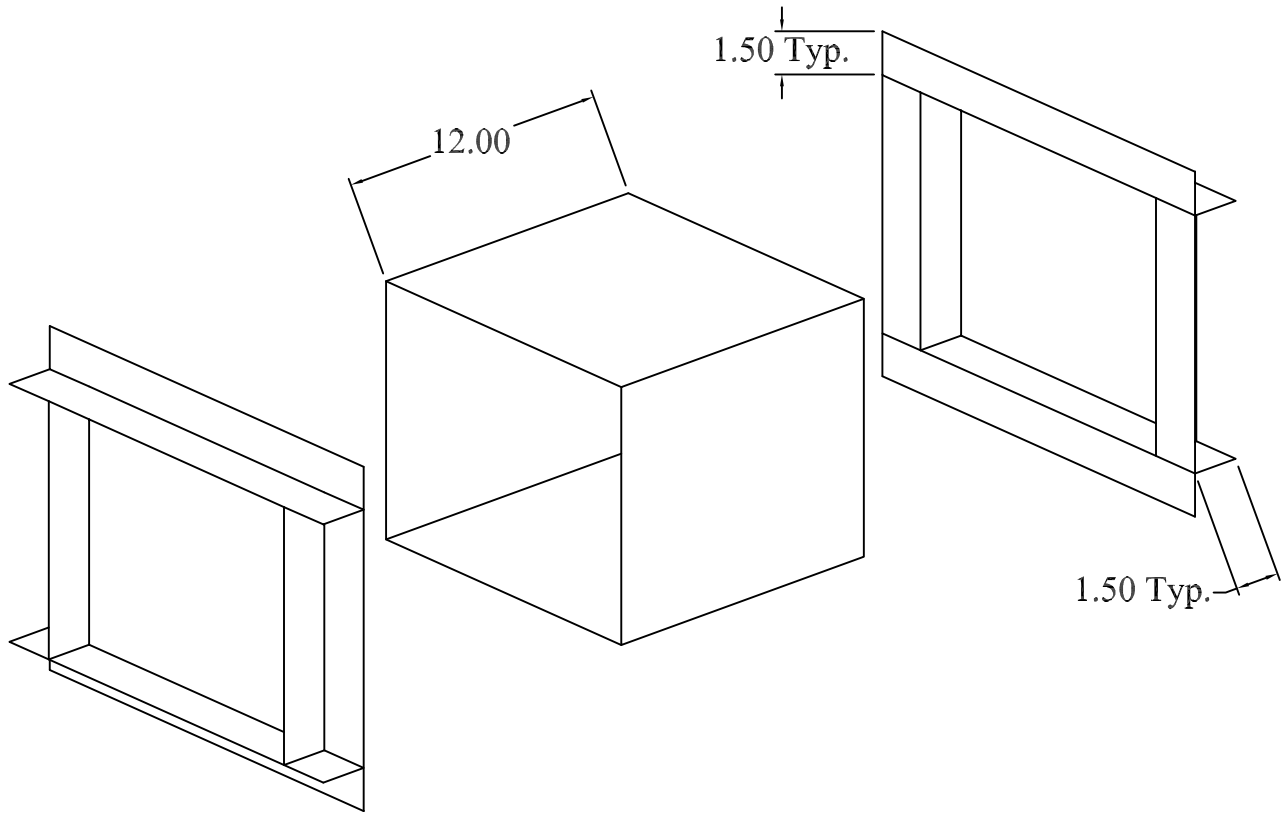
www.mmmfg.com

FORT WORTH (MkIV)
(817)-336-2311

FORT WORTH (Adolph)
(817)-334-0034

DALLAS
(972)-485-1504

HOUSTON
(713)-690-0585



PART #: MP-FDA(Size) **DESCRIPTION:** Fire damper sleeve and retaining angle set

NOTES: Material: 16 gauge
ASTM-A653 CS B galvanized steel
Sleeve sized I.D. to accept Fire Damper (not included)
Solid weld construction
Order as Pt# MP-FDA(width in inches)(height in inches)