



# M&M Manufacturing Company

[www.mmmfg.com](http://www.mmmfg.com)

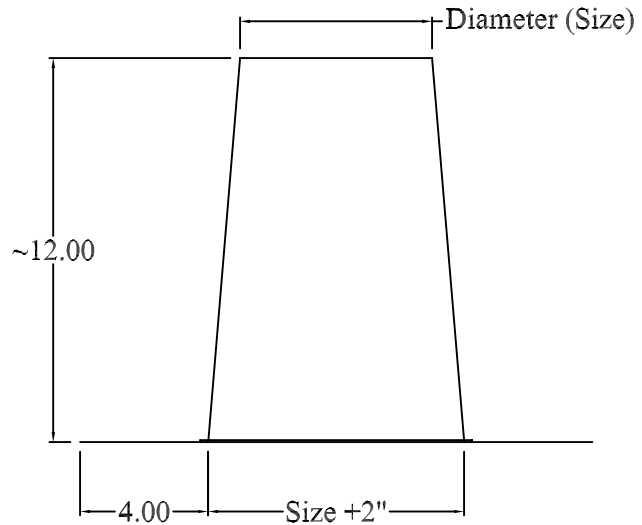
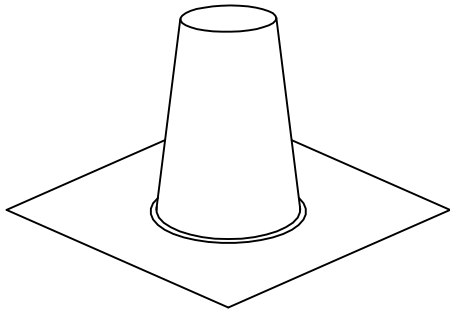
FORT WORTH (MkIV)  
(817)-336-2311

FORT WORTH (Adolph)  
(817)-334-0034

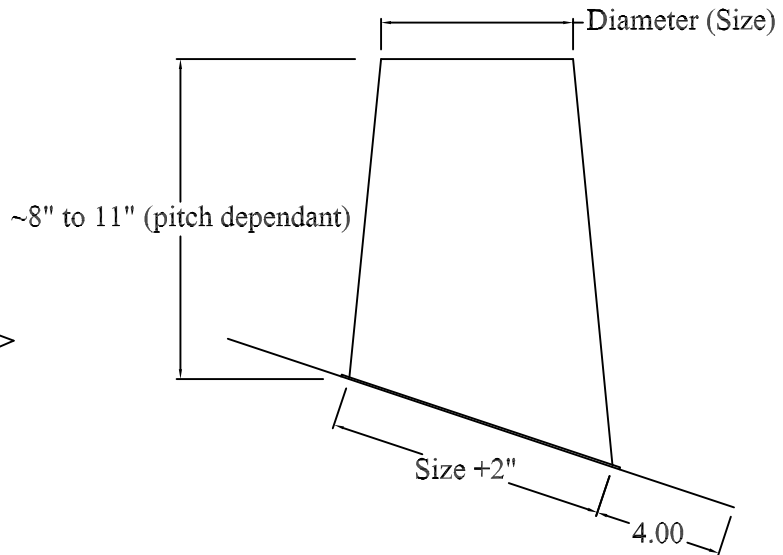
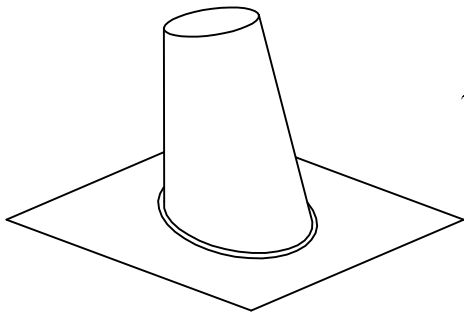
DALLAS  
(972)-485-1504

HOUSTON  
(713)-690-0585

0/12 Pitch



3/12 through 7/12 Pitch



**PART #:** R-RJTNC(Size)?/12 | **DESCRIPTION:** Standard pitch tapered roof jack

**NOTES:** Material: 28 gauge G-60

ASTM-A653 CS B galvanized steel

Upper diameter determines size

Sizes 4" through 6", 0/12 through 7/12 available

0/12 pitch roof jacks with silicone sealed, lock formed stack to flashing joint

3/12 through 7/12 pitch roof jacks with lock formed stack to flashing joint

Order as Pt# R-RJTNC(Size)?/12

Substitute ? with rise in inches over 12" run