



# **M&M Manufacturing Company**

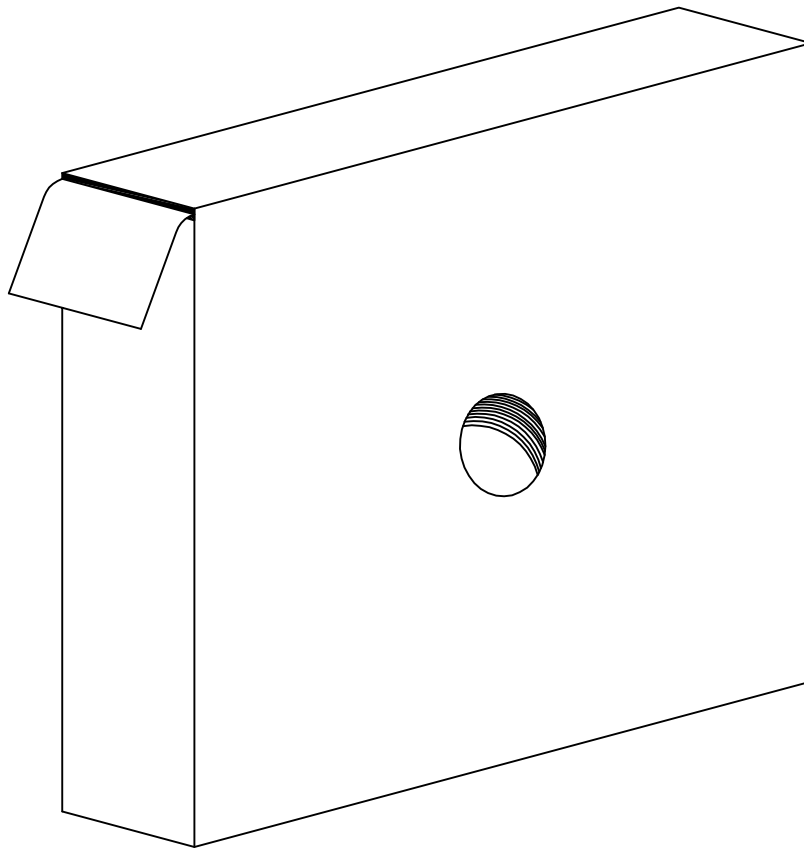
[www.mmmfg.com](http://www.mmmfg.com)

FORT WORTH (Mark IV Pkwy)  
(817)-336-2311

FORT WORTH (Adolph)  
(817)-334-0034

DALLAS  
(972)-485-1504

HOUSTON  
(713)-690-0585



**PART #:** RD-HS1

**DESCRIPTION:** 1" x 30 gauge Hanger Strap

**NOTES:** Material: 30 gauge (~0.012") galvanized steel per ASTM-A653 CS B

1" x 100' roll

Packaged in ~7" x ~7" dispensing carton