



# M&M Manufacturing Company

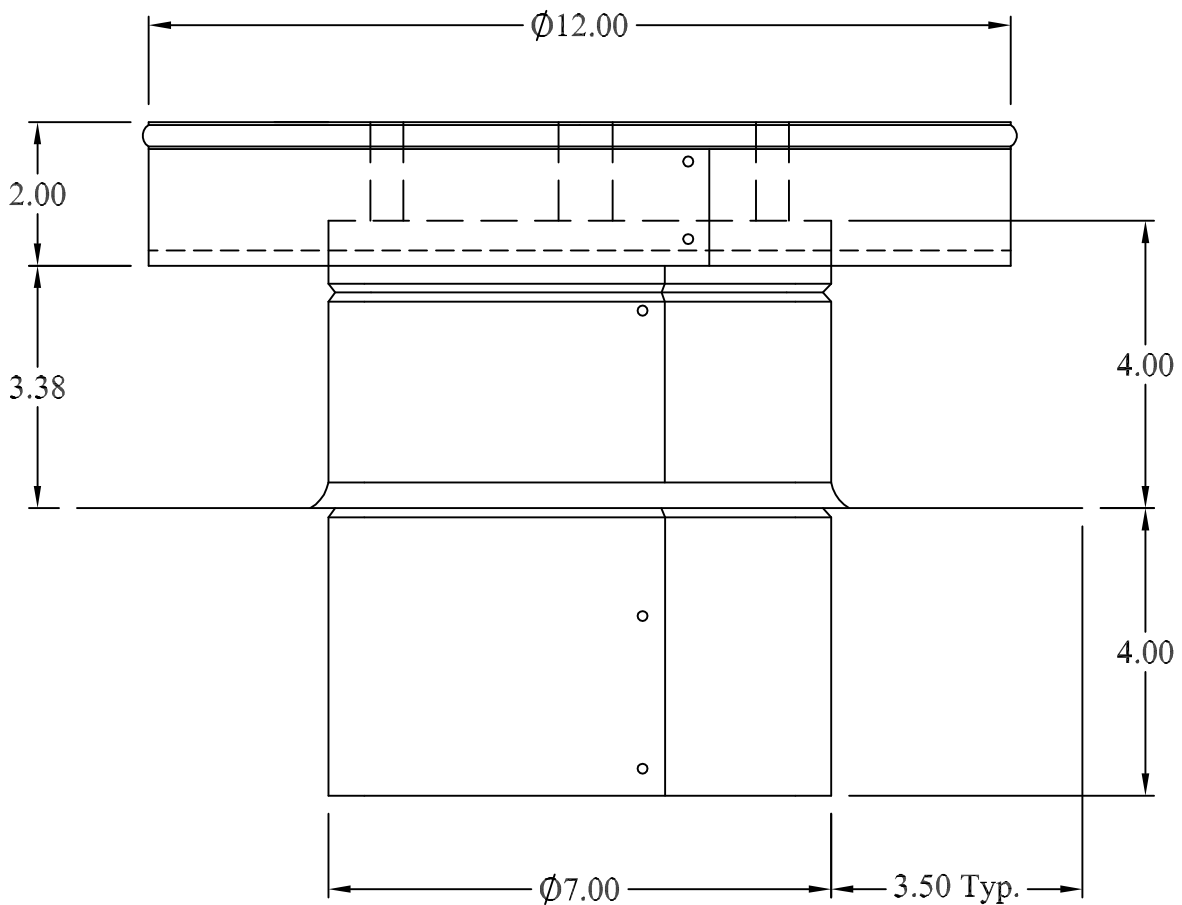
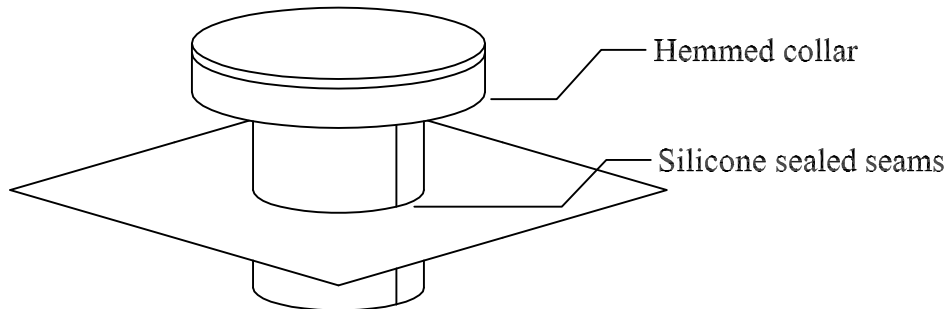
[www.mmmfg.com](http://www.mmmfg.com)

FORT WORTH (MkIV)  
(817)-336-2311

FORT WORTH (Adolph)  
(817)-334-0034

DALLAS  
(972)-485-1504

HOUSTON  
(713)-690-0585



**PART #:** V-7VJ      **DESCRIPTION:** Vent-A-Hood roof jack

**NOTES:** Material: 26 gauge  
ASTM-A653 CS B galvanized steel  
One piece cylinder penetrates roof