



M&M Manufacturing Company

www.mmmfg.com

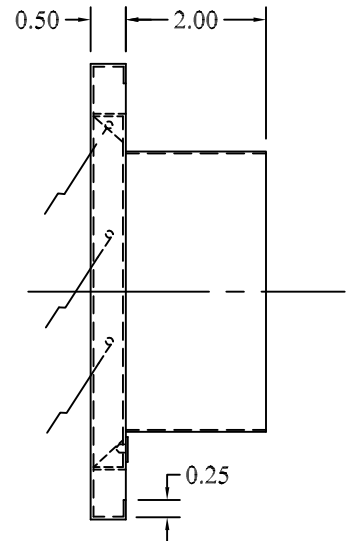
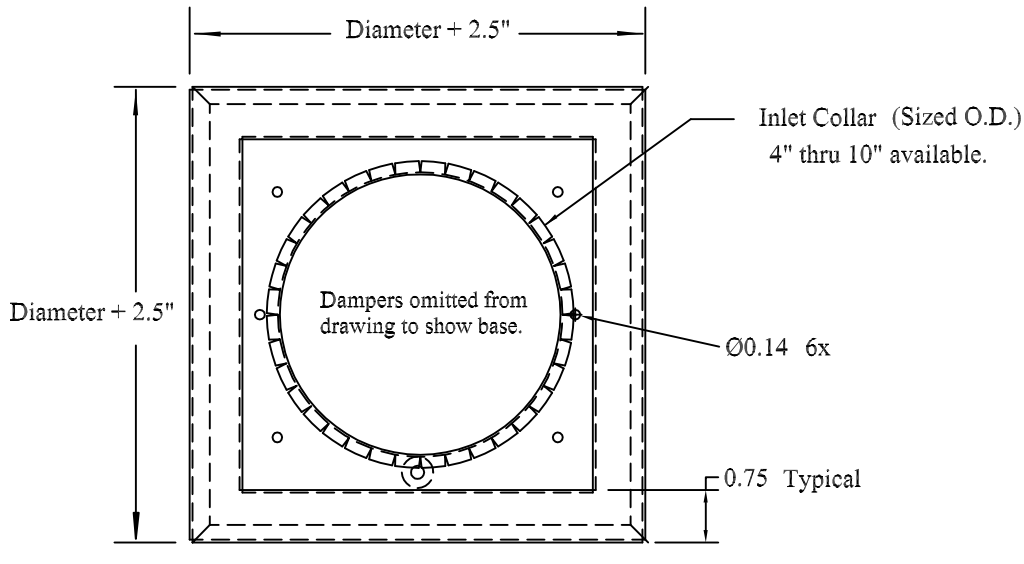
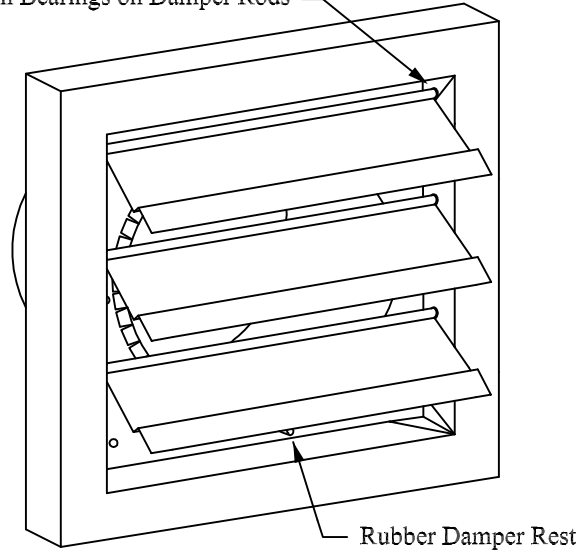
FORT WORTH (MkIV)
(817)-336-2311

FORT WORTH (Adolph)
(817)-334-0034

DALLAS
(972)-485-1504

HOUSTON
(713)-690-0585

Nylon Bearings on Damper Rods



PART #: V-MBLV(Size)WC2 | **DESCRIPTION:** Flush mount wall vent

NOTES: Material: ASTM-A653 CS B bonderized and phosphatized galvanized steel

Paint ready

4" through 10" available

Order as Pt# V-MBLV(diameter in inches)WC2