



# M&M Manufacturing Company

[www.mmmfg.com](http://www.mmmfg.com)

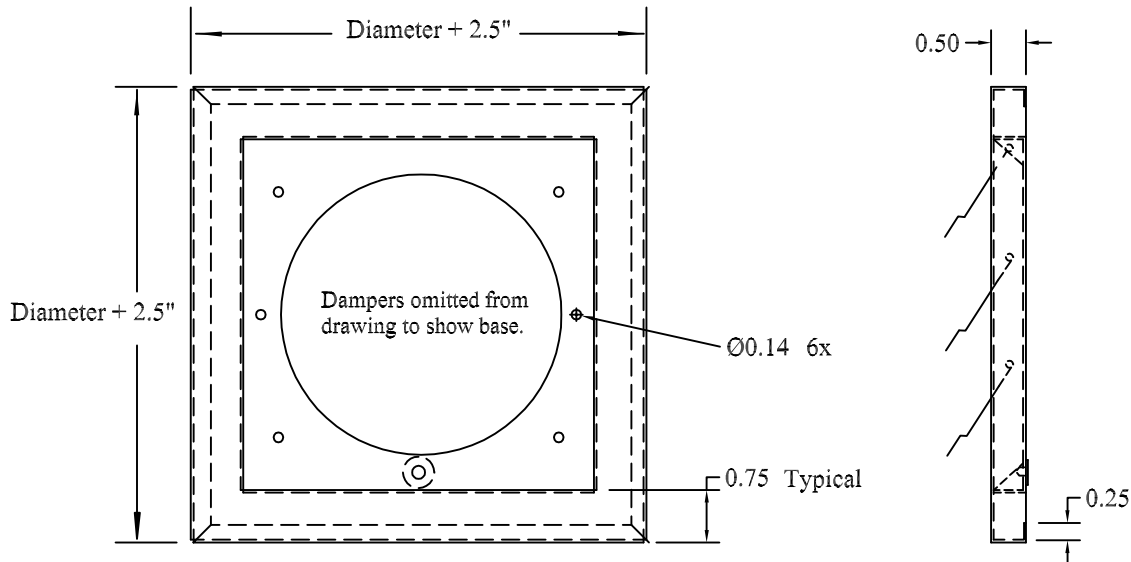
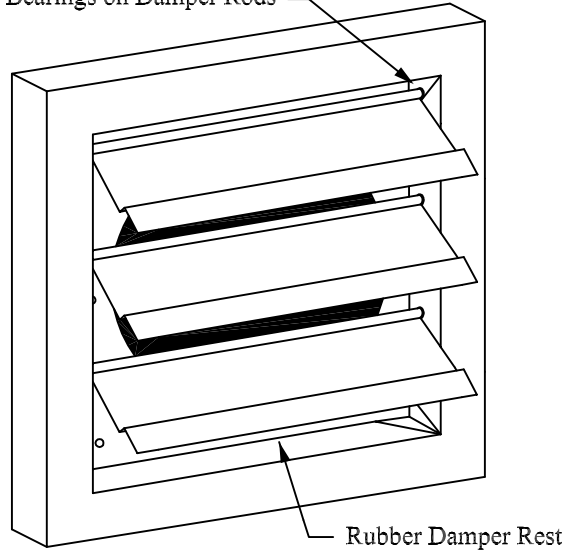
FORT WORTH (MkIV)  
(817)-336-2311

FORT WORTH (Adolph)  
(817)-334-0034

DALLAS  
(972)-485-1504

HOUSTON  
(713)-690-0585

Nylon Bearings on Damper Rods



**PART #:** V-MBLV(Size)    **DESCRIPTION:** Flush mount wall vent

**NOTES:** Material: ASTM-A653 CS B bonderized and phosphatized galvanized steel

Paint ready

4" through 10" available

Order as Pt# V-MBLV(diameter in inches)