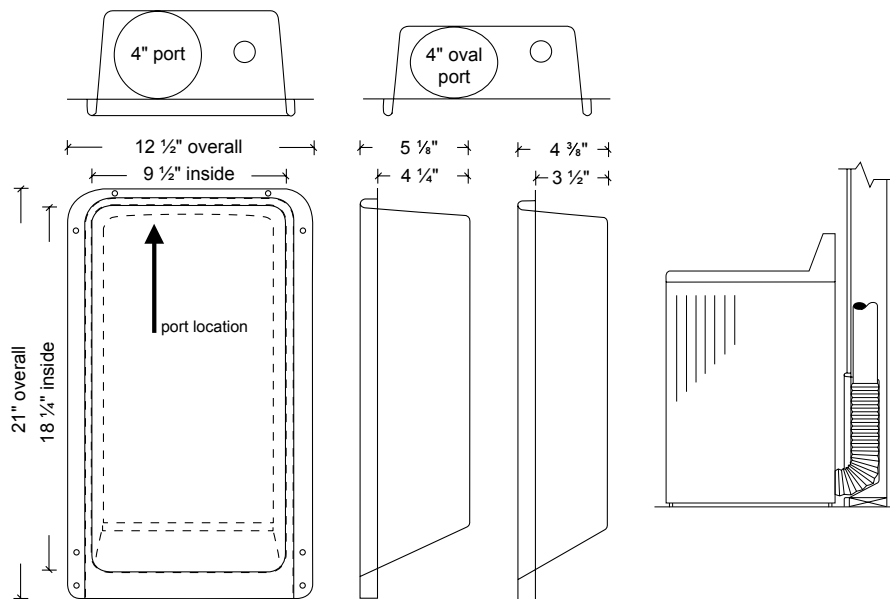


Recessed Dryer Vent Box

### MODEL 425

### MODEL 350



Model Number	Wall Size	Exhaust Direction
425	2x6	Upward
350	2x4	Upward
4D	2x6	Downward
3D	2x4	Downward

### Performance Data

**For Use:**

- Dryer vent hose receptacle
- Doubles as gas connection receptacle
- Meets code requirements as a clean-out

**Materials:**

- Model 425 and 350 deep drawn with .028 aluminized steel (22 gauge)
- Model 4D and 3D deep drawn with .031 aluminized steel (21 gauge)
- UL Classified for a one hour wall
- Made in the USA



**Fire Stop Device**  
For Use In Penetration Firestop Systems  
SEE UL FIRE RESISTANCE DIRECTORY  
Control No: 25XC 1 Hour F Rating

US Patent 5,476,183 and 6,419,102

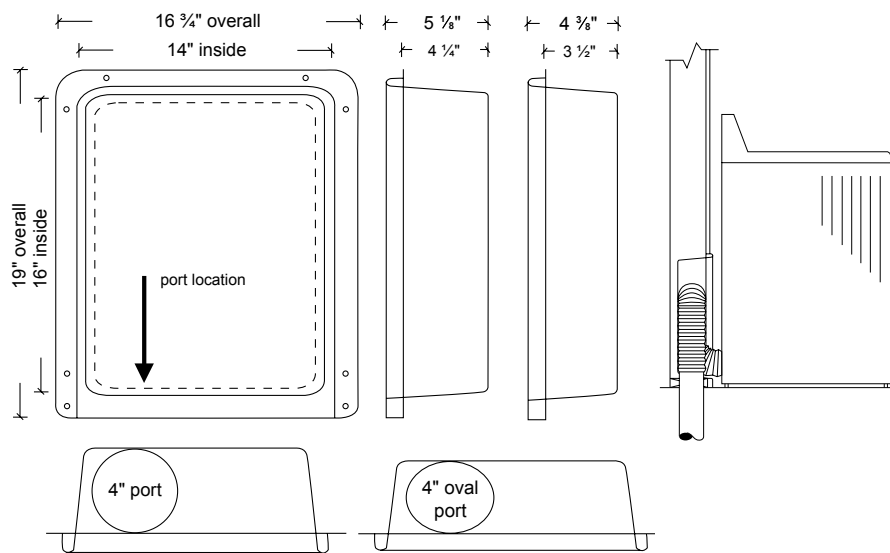
### General Information

**Benefits:**

- Locate the dryer right up against the wall
- Flex is protected from getting squished
- Lint build-up is minimized
- Efficiency is increased ... clothes dry faster
- Dryer related service calls are almost eliminated
- Laundry room appears larger to prospects
- Reduces the fire hazard
- Socks and clothing can't fall behind appliance

**Features:**

- No trim-ring piece is needed
- Elbow eliminator ... gain 5 foot of duct run
- Surface is paintable, no masking needed
- Applauded by Mechanical Inspectors
- Over 650,000 Dryerboxes installed



### MODEL 4D

### MODEL 3D

Recessed Dryer Vent Box

### Manufactured By

**In-O-Vate Technologies, Inc.**  
810 Saturn Street, Suite 22  
Jupiter, FL 33477  
Phone: (888) 443-7937  
Fax: (561) 745-9723  
www.dryerbox.com