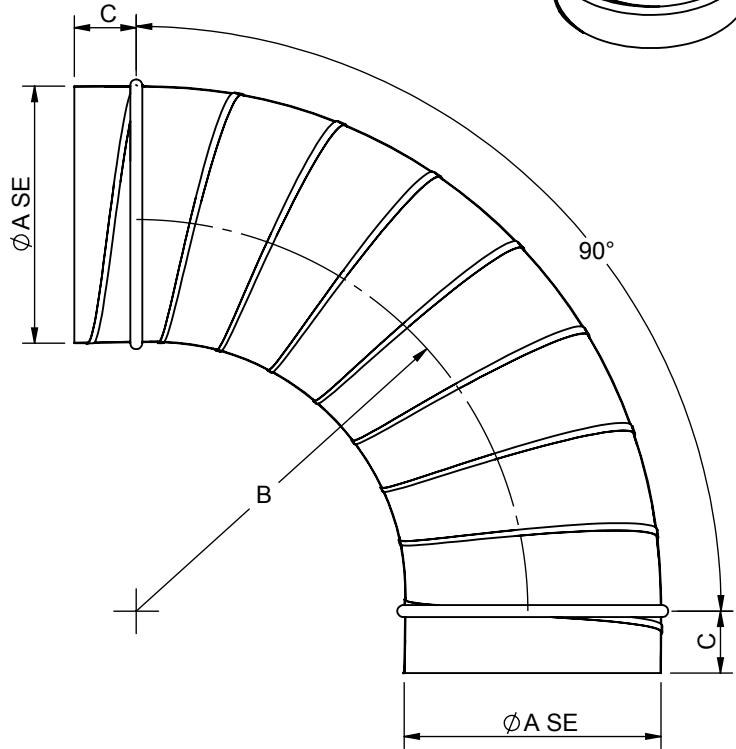
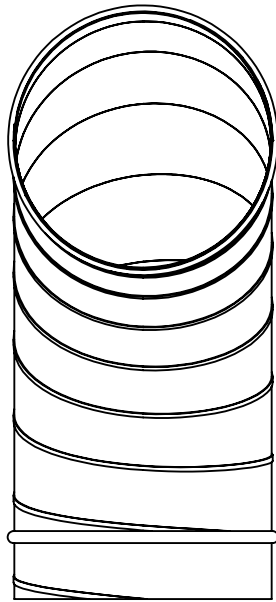
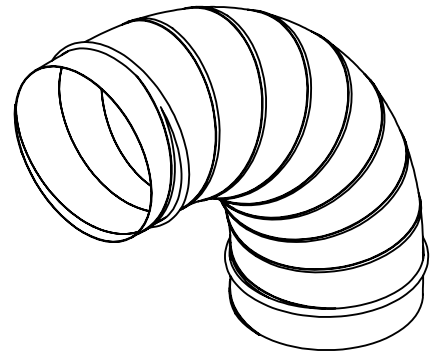


# 90 DEG SPIRAL ELBOW 26GA 1.5CL



MATERIAL: 26GA GALVANIZED

## SPECIFICATIONS

Pg. 1 of 1

STOCK #	DESCRIPTION	DIMENSIONS (in)					
		A	B	C	D	E	F
547824	4X90 SPIRAL ELBOW 26GA 1.5CL	4	6	2			
547825	5X90 SPIRAL ELBOW 26GA 1.5CL	5	7-1/2	2-3/16			
547826	6X90 SPIRAL ELBOW 26GA 1.5CL	6	9	2-3/8			
547827	7X90 SPIRAL ELBOW 26GA 1.5CL	7	10-1/2	2-9/16			
547828	8X90 SPIRAL ELBOW 26GA 1.5CL	8	12	2-3/4			
547829	9X90 SPIRAL ELBOW 26GA 1.5CL	9	13-1/2	2-15/16			
547830	10X90 SPIRAL ELBOW 26GA 1.5CL	10	15	3-1/8			
547832	12X90 SPIRAL ELBOW 26GA 1.5CL	12	18	3-9/16			
547834	14X90 SPIRAL ELBOW 26GA 1.5CL	14	21	3-15/16			
547836	16X90 SPIRAL ELBOW 26GA 1.5CL	16	24	4-5/16			
547838	18X90 SPIRAL ELBOW 26GA 1.5CL	18	27	4-3/4			

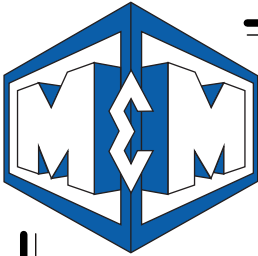
**M&M Manufacturing Company**

Project:

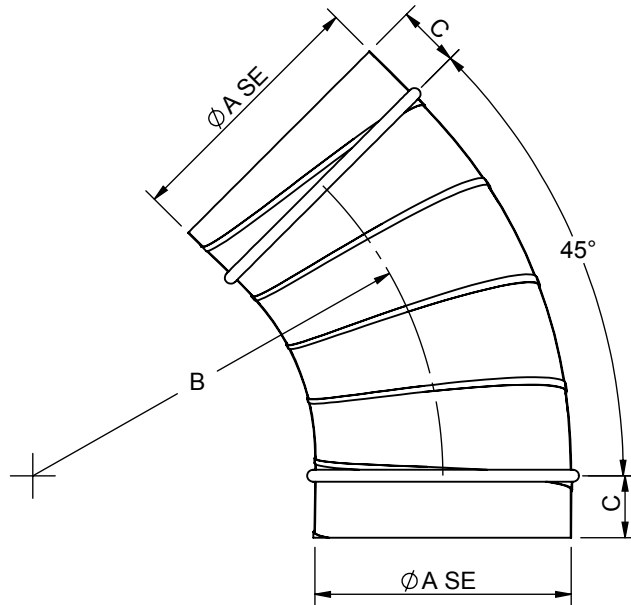
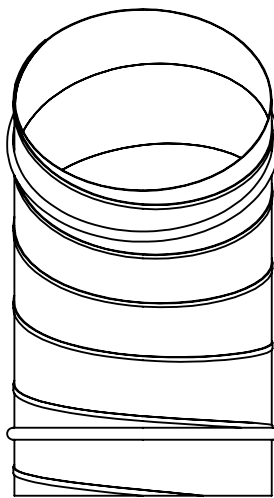
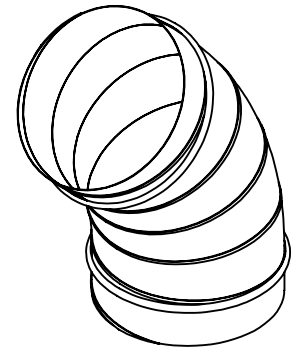
Engineer:

Date: May 17, 2010

Contractor:



# 45 DEG SPIRAL ELBOW 26GA 1.5CL



MATERIAL: 26GA GALVANIZED

## SPECIFICATIONS

Pg. 1 of 1

STOCK #	DESCRIPTION	DIMENSIONS (in)					
		A	B	C	D	E	F
547844	4X45 SPIRAL ELBOW 26GA 1.5CL	4	6	2			
547845	5X45 SPIRAL ELBOW 26GA 1.5CL	5	7-1/2	2-3/16			
547846	6X45 SPIRAL ELBOW 26GA 1.5CL	6	9	2-3/8			
547847	7X45 SPIRAL ELBOW 26GA 1.5CL	7	10-1/2	2-9/16			
547848	8X45 SPIRAL ELBOW 26GA 1.5CL	8	12	2-3/4			
547849	9X45 SPIRAL ELBOW 26GA 1.5CL	9	13-1/2	2-15/16			
547850	10X45 SPIRAL ELBOW 26GA 1.5CL	10	15	3-1/8			
547852	12X45 SPIRAL ELBOW 26GA 1.5CL	12	18	3-9/16			
547854	14X45 SPIRAL ELBOW 26GA 1.5CL	14	21	3-15/16			
547856	16X45 SPIRAL ELBOW 26GA 1.5CL	16	24	4-5/16			
547858	18X45 SPIRAL ELBOW 26GA 1.5CL	18	27	4-3/4			

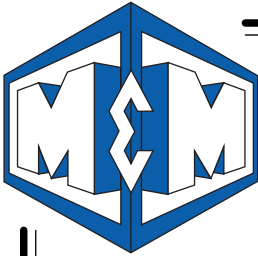
**M&M Manufacturing Company**

Project:

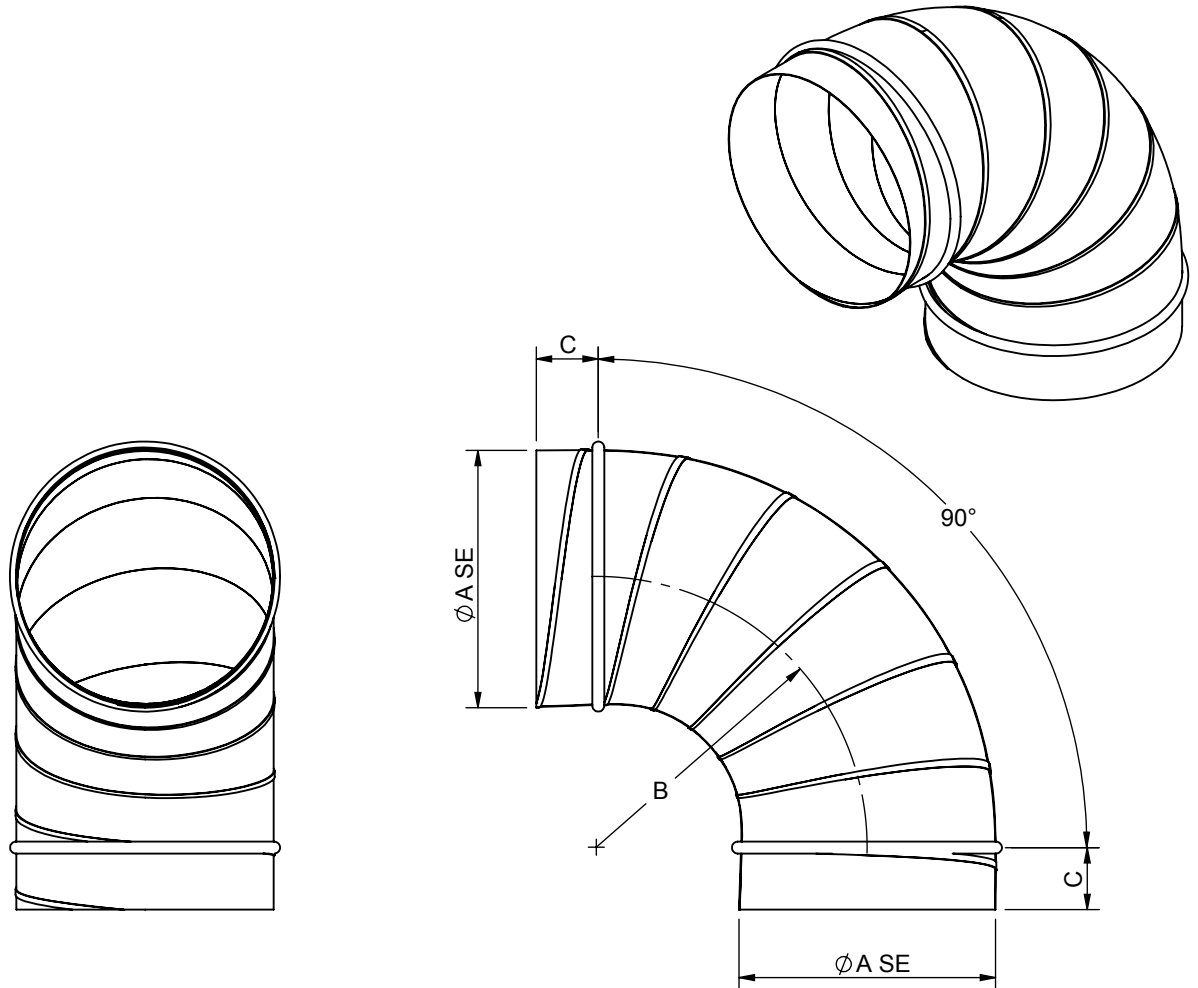
Engineer:

Date: May 17, 2010

Contractor:



# 90 DEG SPIRAL ELBOW 26GA 1CL



MATERIAL: 26GA GALVANIZED

## SPECIFICATIONS

Pg. 1 of 1

STOCK #	DESCRIPTION	DIMENSIONS (in)					
		A	B	C	D	E	F
547864	4X90 SPIRAL ELBOW 26GA 1CL	4	4	2			
547865	5X90 SPIRAL ELBOW 26GA 1CL	5	5	2-3/16			
547866	6X90 SPIRAL ELBOW 26GA 1CL	6	6	2-3/8			
547867	7X90 SPIRAL ELBOW 26GA 1CL	7	7	2-9/16			
547868	8X90 SPIRAL ELBOW 26GA 1CL	8	8	2-3/4			
547869	9X90 SPIRAL ELBOW 26GA 1CL	9	9	2-15/16			
547870	10X90 SPIRAL ELBOW 26GA 1CL	10	10	3-1/8			
547872	12X90 SPIRAL ELBOW 26GA 1CL	12	12	3-9/16			
547874	14X90 SPIRAL ELBOW 26GA 1CL	14	14	3-15/16			
547876	16X90 SPIRAL ELBOW 26GA 1CL	16	16	4-5/16			
547878	18X90 SPIRAL ELBOW 26GA 1CL	18	18	4-3/4			

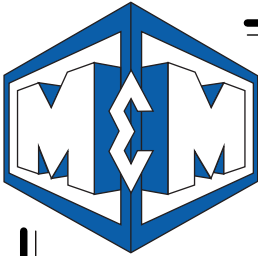
**M&M Manufacturing Company**

Project:

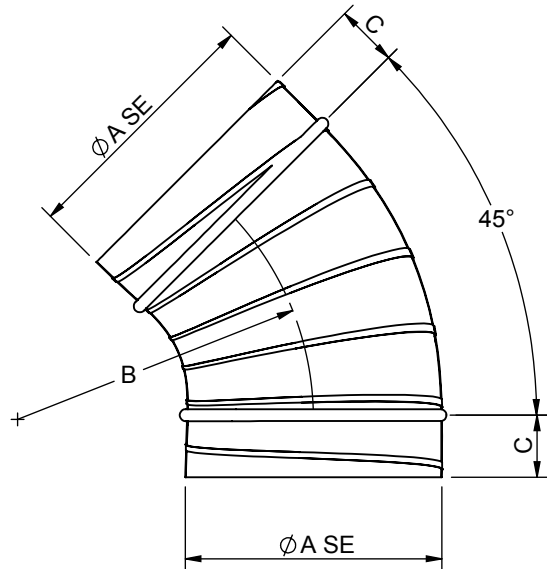
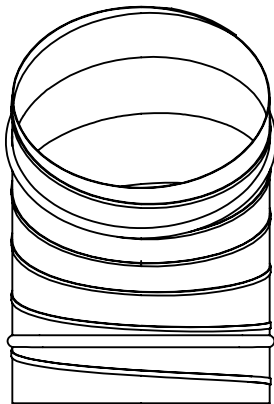
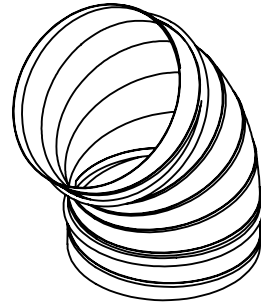
Engineer:

Date: Jan, 2012

Contractor:



# 45 DEG SPIRAL ELBOW 26GA 1CL



MATERIAL: 26GA GALVANIZED

## SPECIFICATIONS

Pg. 1 of 1

STOCK #	DESCRIPTION	DIMENSIONS (in)					
		A	B	C	D	E	F
547884	4X45 SPIRAL ELBOW 26GA 1CL	4	4	2			
547885	5X45 SPIRAL ELBOW 26GA 1CL	5	5	2-3/16			
547886	6X45 SPIRAL ELBOW 26GA 1CL	6	6	2-3/8			
547887	7X45 SPIRAL ELBOW 26GA 1CL	7	7	2-9/16			
547888	8X45 SPIRAL ELBOW 26GA 1CL	8	8	2-3/4			
547889	9X45 SPIRAL ELBOW 26GA 1CL	9	9	2-15/16			
547890	10X45 SPIRAL ELBOW 26GA 1CL	10	10	3-1/8			
547892	12X45 SPIRAL ELBOW 26GA 1CL	12	12	3-9/16			
547894	14X45 SPIRAL ELBOW 26GA 1CL	14	14	3-15/16			
547896	16X45 SPIRAL ELBOW 26GA 1CL	16	16	4-5/16			
547898	18X45 SPIRAL ELBOW 26GA 1CL	18	18	4-3/4			

**M&M Manufacturing Company**

Project:

Engineer:

Date: Jan., 2012

Contractor: