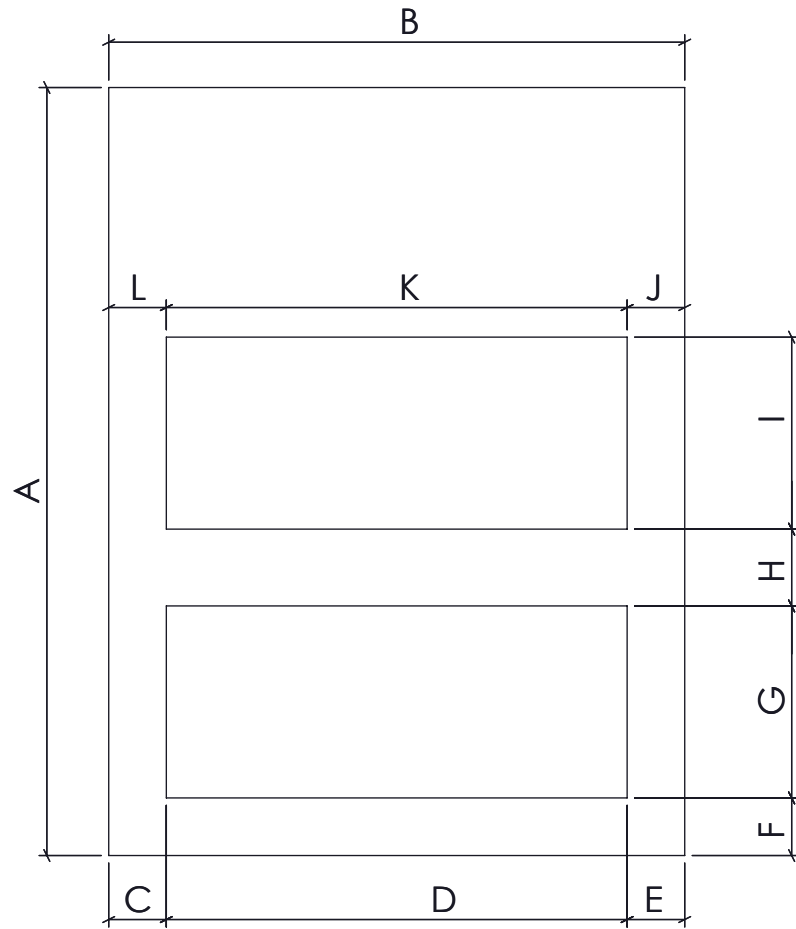


(STYLE A)




(STYLE B)

A	
B	
C	
D	
E	
F	
G	
H	
I	
J	
K	
L	

SPECIFY:

- WHAT IS SUPPLY AIR AND RETURN AIR
- ANY OBSTRUCTION AT LEAST 10' AROUND PERIMETER OF RTU

EXISTING UNIT MODEL:	
IS RTU ON FACTORY CURB?	
NEW UNIT MODEL:	
CONTRACTOR NAME:	
CONTRACTOR PHONE:	
COMPANY NAME:	

<p>PROPRIETARY INFORMATION THIS DRAWING AND/OR DATA SHEET, AND THE CONFIDENTIAL PROPRIETARY INFORMATION THEREON, ARE THE PROPERTY OF M&M MANUFACTURING, INC. AND IS NOT TO BE REPRODUCED, COPIED OR DISCLOSED IN WHOLE OR IN PART, WITHOUT THE PRIOR WRITTEN CONSENT OF M&M™.</p> <p>Copyright © 2022 Marmon®</p> <p>MATERIAL n/a</p> <p>LINER n/a</p> <p>APPROXIMATE WEIGHT</p>	NAME	DATE	 <p>M&M Manufacturing Inc</p> <p>TITLE: Field Measurement</p>	
	DRAWN	GS		10/18/22
	CHECKED			
	ENG APPR.			
	MFG APPR.			
COMMENTS:			<p>SIZE A</p> <p>DWG. NO.</p> <p>REV</p>	
FILE NAME:	FM-2022	SCALE: 1:1	SHEET 1 OF 1	